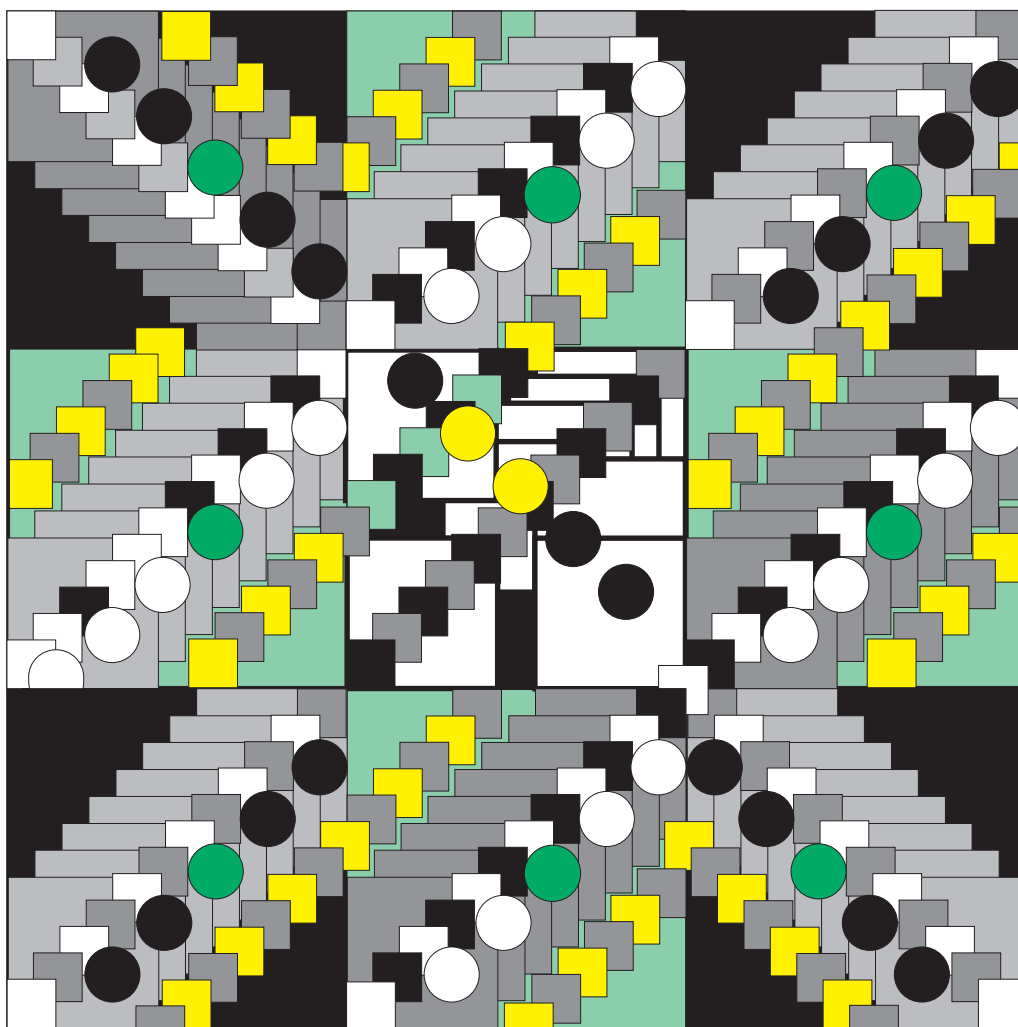


2220 Nways BroadBand Switch
Models 300, 500, and 501



Nways Switch Administration Station Setup and Service Guide (based on 7585)



2220 Nways BroadBand Switch
Models 300, 500, and 501



Nways Switch Administration Station Setup and Service Guide (based on 7585)

Note

Before using this information and the product it supports, be sure to read the general information under "Notices" on page ix.

First Edition (June 1998)

The information contained in this manual is subject to change from time to time. Any such changes will be reported in subsequent revisions.

Order publications through your IBM representative or the IBM branch office serving your locality. Publications are not stocked at the address given below.

A form for readers' comments appears at the back of this publication. If the form has been removed, address your comments to:

IBM France
Centre d'Etudes et Recherches
Service 0798 - BP 79
06610 La Gaude
France

- FAX: (33) 4.93.24.77.97
- IBM Internal Use: LGERCF at IBMFR
- Internet: lgercf@fr.ibm.com

When you send information to IBM, you grant IBM a non-exclusive right to use or distribute the information in any way it believes appropriate without incurring any obligation to you.

© **Copyright International Business Machines Corporation 1998. All rights reserved.**

Note to U.S. Government Users — Documentation related to restricted rights — Use, duplication or disclosure is subject to restrictions set forth in GSA ADP Schedule Contract with IBM Corp.

Contents

Figures	v
Tables	vii
Notices	ix
7585 Notices and Safety	ix
Trademarks and Service Marks	ix
Aim of this Manual	xi
Who Should Read this Manual	xi
How this Manual is Organized	xi
Chapter 1. Installing and Configuring the NAS and its Modem	1-1
Installing the NAS with the Display and Keyboard on a Table	1-2
Installing the NAS Display in the Rack	1-4
Connecting the NAS with the Display and Keyboard in the Rack	1-6
Connecting the NAS to the NMS	1-8
Connecting the NAS to an APC Type A	1-9
Connecting the 2220-300 or 2220-500 to the Network Management Station	1-10
Connecting the NAS to an APC Type B	1-11
Connecting the 2220-300 or 2220-500 to the Network Management Station	1-12
Installing and Connecting the External Modem	1-13
Installing and Connecting the 7855 Modem	1-14
Unpacking the Modem	1-14
Installing the Modem	1-15
Installing and Connecting the 7857 Modem	1-20
Telecommunication Cables Part Numbers	1-21
Installation procedure	1-22
Installing and Connecting the Hayes** Modem	1-26
Installing and Connecting the 7858 Modem	1-28
7858 Modem installation	1-28
Saving the Configuration of the 7858	1-31
Connecting the 7858	1-31
Chapter 2. START - Finding a Service Procedure	2-1
Problem Determination Procedures	2-2
Chapter 3. Nways Switch Administration Station Diagnostics	3-1
How to test the Nways Switch Administration Station and the Different Links	3-1
How to Run the Nways Switch Administration Station Diagnostics	3-2
Power-On Self Test (POST)	3-2
Diagnostics Diskette	3-2
How to Test the Link Between the NAS and the Network Support Center	3-6
Locally on the NAS	3-6
From the Network Support Center Console	3-7
How to Test the Different Links	3-8
Chapter 4. Nways Switch Administration Station Problem Determination	4-1
MAP 0400: Nways Switch Administration Station Symptom	4-1

MAP 0410:	
Communication Problem Between the NAS and a Remote Console . . .	4-8
Modem Exchange Procedure	4-18
Chapter 5. Nways Switch Administration Station FRU and Display	
Exchange Procedures	5-1
Nways Switch Administration Station FRU Exchange	5-2
MAP 0400:	
After Board or Battery Exchange on NAS Based on 7585-001	5-5
MAP 0410: After Ethernet Adapter Exchange on NAS	5-6
MAP 0420:	
After Hard Disk Drive Exchange on NAS Based on 7585-001	5-9
MAP 0430: After Other FRUs Exchange on NAS Based on 7585-001	5-17
MAP 0440:	
After Board or Battery Exchange on NAS Based on 7585-P02	5-20
MAP 0450: After Hard Disk Drive Exchange on NAS Based on 7585-P02	5-22
MAP 0460: After Other FRUs Exchange on NAS Based on 7585-P02	5-29
Display Removal	5-31
Display Type A (9524)	5-32
Display Type B (7573)	5-34
Display Install	5-37
Installing a New Display Type B in the Rack	5-38
Ending the Exchange Procedure	5-40
Appendix A. Locations	A-1
2220-300 and 2220-500 Locations (Front View)	A-2
2220-300 and 2220-500 Locations (Rear View)	A-3
Appendix B. Configuration Reference for NAS Based on 7585-001	B-1
Appendix C. Configuration Reference for NAS Based on 7585-P02	C-1
Appendix D. How to Set the Cache Size Value	D-1
Appendix E. Modem Part Number	E-1
Nways Switch HAYES Modem Part Number	E-1
Bibliography	X-1
Nways Switch Publications	X-1
Nways 2220 Switch Manager Publications	X-1
Related Publications	X-1
World Wide Web	X-1
Glossary	X-3
Index	X-13

Figures

1-1.	NAS, Slot Allocation	1-2
1-2.	NAS, Cables Installation	1-3
1-3.	Display Installation	1-4
1-4.	Display Assembly Installation in the Rack	1-5
1-5.	Keyboard Installation	1-6
1-6.	Display and Keyboard Cables Connection to the NAS	1-7
1-7.	Cables Connection to the rear of the NAS	1-7
1-8.	APC Types	1-8
1-9.	Connecting the NAS to an APC Type A	1-9
1-10.	10BaseT Cable	1-10
1-11.	Connecting the NAS to APC Type B	1-11
1-12.	10BaseT Cable	1-12
1-13.	10Base2 Cable	1-12
1-14.	Modem Type A	1-13
1-15.	Modem Type B	1-13
1-16.	Modem Type C	1-13
1-17.	Modem Type D	1-13
1-18.	Installing Telecommunication Line Cables	1-15
1-19.	Connecting ac Power	1-16
1-20.	Connecting the 7855 modem to the NAS	1-19
1-21.	7857 Front Panel	1-20
1-22.	7857 Rear Panel	1-22
1-23.	7857 Modem Operator Panel Display	1-24
1-24.	Connecting the Service Processor to the 7857 Modem	1-25
1-25.	Front View	1-26
1-26.	Rear View	1-26
1-27.	Connecting the Hayes	1-27
1-28.	7858 Front Side	1-28
1-29.	7858 Rear Panel	1-28
1-30.	7858 Operator Panel Display	1-29
1-31.	7858 Operator Panel Display	1-30
1-32.	Connecting the Service Processor (7585-P02) from COM1 to the 7858	1-31
3-1.	Nways Switch Window List	3-6
3-2.	SLIP Driver Correct Status	3-6
3-3.	SLIP Driver Error Status	3-7
3-4.	Example of PM Ping Results	3-9
4-1.	Nways Switch Administration Station Based on on 7585-001	4-1
4-2.	Nways Switch Administration Station Based on on 7585-P02	4-1
4-3.	Nways Switch Resource Control Window	4-3
4-4.	Nways Switch Desktop Window	4-18
4-5.	Nways Swith Installation Window	4-18
4-6.	Installation Program Main Menu	4-18
4-7.	Modem Type Selection	4-19
5-1.	Nways Switch Administration Station Based on on 7585-001	5-1
5-2.	Nways Switch Administration Station Based on on 7585-P02	5-1
5-3.	Disk Identification	5-3
5-4.	Display Type Identification	5-31
5-5.	Display Power ON/OFF Switch	5-34
5-6.	Display Installation	5-38

5-7.	Display Assembly Installation in the Rack	5-39
5-8.	Display and Keyboard Cables Connection to the NAS	5-39
5-9.	Display Power ON/OFF Switch	5-40
5-10.	Display Power ON/OFF Switch	5-41
A-1.	2220-300 and 2220-500 Front View (Adapter Side)	A-2
A-2.	2220-300 and 2220-500 Rear View (LIC Side)	A-3

Tables

1-1.	Standard Cables between the 2220 and the RISC System/6000 . . .	1-12
1-2.	PNs of the External Modem Cables	1-16
1-3.	Telecommunication cables	1-21

Notices

References in this publication to IBM products, programs, or services do not imply that IBM intends to make these available in all countries in which IBM operates. Any reference to an IBM product, program, or service is not intended to state or imply that only IBM's product, program, or service may be used. Any functionally equivalent product, program, or service that does not infringe any of IBM's intellectual property rights may be used instead of the IBM product, program, or service. Evaluation and verification of operation in conjunction with other products, except those expressly designated by IBM, is the user's responsibility.

IBM may have patents or pending patent applications covering subject matter in this document. The furnishing of this document does not give you any license to these patents. You can send license inquiries, in writing, to the IBM Director of Licensing, IBM Corporation, 500 Columbus Avenue, Thornwood, New York 10594, U.S.A. Commercial Relations, IBM Corporation, Purchase, NY 10577, U.S.A.

7585 Notices and Safety

For 7585 notices and safety refer to 7585 Industrial Computer: Information, Installation, Operation, Hardware Maintenance

Trademarks and Service Marks

The following terms, denoted by an asterisk (*), used in this publication, are trademarks or service marks of IBM Corporation in the United States or other countries:

IBM	Nways	OS/2
AT	XGA	NetView
RETAIN	Presentation Manager	

The following terms, denoted by a double asterisk (**), used in this publication, are trademarks of other companies:

Hayes

Aim of this Manual

The service guide gives the service representative the information needed to:

- Install the Nways Switch administration station and its attached modem.
- Analyze the problem or symptoms reported by the system user for the Nways Switch administration station and its attached modem.
- Restore normal operation to the Nways Switch administration station.
- Exchange all the FRUs of the Nways Switch administration station.
- Run diagnostics on the Nways Switch administration station.

Who Should Read this Manual

The person using this manual should be:

- Trained to service the Nways Switch administration station.
- Familiar with the configuration and operation of the Nways Switch administration station.

The intended audience for this manual is Product-Trained Customer Engineers (PT-CE). The Product-Support Customer Engineer (PST-CE) is also expected to refer to the manual when required to perform the same tasks as the PT CE.

How this Manual is Organized

This manual is organized as follows:

Safety information is at the beginning of this book.

Chapter 1	Gives procedures for installing and configuring the Nways Switch administration station and its modem.
Chapter 2	Gives page number references for starting various service and troubleshooting procedures.
Chapter 3	Gives how to run diagnostics on the Nways Switch administration station.
Chapter 4	Gives the MAPs to be used for problem determination on the Nways Switch administration station.
Chapter 5	Gives the MAPs to be used for Nways Switch administration station FRU replacement.
Appendix A	Gives the 2220 locations.
Appendix B	Gives the configuration reference for NAS based on 7585–001.
Appendix C	Gives the configuration reference for NAS based on 7585–P02.
Appendix D	Gives how to set the cache size value.
Appendix E	Gives the modem part number.
Appendix X	Gives: <ul style="list-style-type: none">• Bibliography• Glossary

- Index.

Chapter 1. Installing and Configuring the NAS and its Modem

Installing the NAS with the Display and Keyboard on a Table	1-2
Installing the NAS Display in the Rack	1-4
Connecting the NAS with the Display and Keyboard in the Rack	1-6
Connecting the NAS to the NMS	1-8
Connecting the NAS to an APC Type A	1-9
Connecting the 2220-300 or 2220-500 to the Network Management Station	1-10
Connecting the NAS to an APC Type B	1-11
Connecting the 2220-300 or 2220-500 to the Network Management Station	1-12
Installing and Connecting the External Modem	1-13
Installing and Connecting the 7855 Modem	1-14
Unpacking the Modem	1-14
Installing the Modem	1-15
Installing and Connecting the 7857 Modem	1-20
Telecommunication Cables Part Numbers	1-21
Installation procedure	1-22
Installing and Connecting the Hayes** Modem	1-26
Installing and Connecting the 7858 Modem	1-28
7858 Modem installation	1-28
Saving the Configuration of the 7858	1-31
Connecting the 7858	1-31

Did you receive the display already installed in the rack, as shown in Figure A-1 on page A-2?

- **No.** Two cases must be considered:
 - Either your customer has ordered a separate display to be installed on a table. Go to “Installing the NAS with the Display and Keyboard on a Table.” or
 - The display has been shipped without being installed in the rack. Go to “Installing the NAS Display in the Rack” on page 1-4.
- **Yes.** Go to “Connecting the NAS with the Display and Keyboard in the Rack” on page 1-6.

Installing the NAS with the Display and Keyboard on a Table

There are two types of NAS, **7585** and **7585-P02** (refer to Figure 1-1). In the following chapters, refer to this drawing to identify the proper cables connection.

1. ___ Obtain the table to set the display, the keyboard, and the modem.
2. ___ Unpack the display and the keyboard.
3. ___ Put the display and the keyboard (PN 59G7982 or 92G7455) on the table and install the stand's display.
4. ___ Plug the following cables **to the NAS** (refer to Figure 1-1):
 - a. Cable extender PN 59G1270 to the display port **1** .
 - b. Cable PN 59G1271 to:
 - 1) the mouse port **2**
 - 2) the keyboard port **3** .

Note: Ports **4** and **5** are used to connect the APC card and port **6** is used to connect the modem. They will be connected later in this manual.

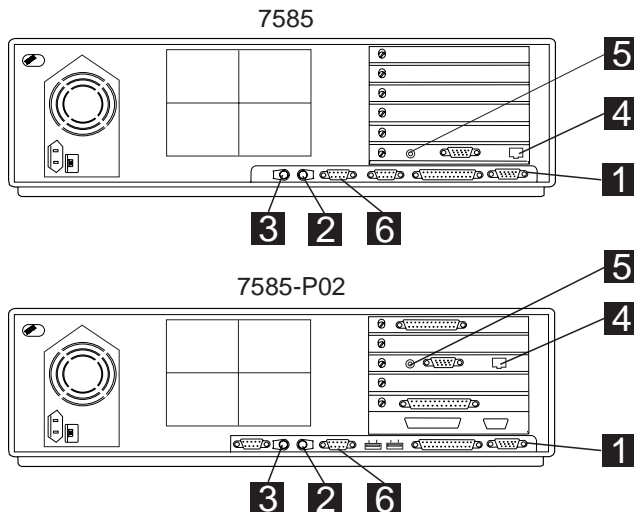


Figure 1-1. NAS, Slot Allocation

5. ____ Connect the cables from the NAS to the display and keyboard as follows (refer to Figure 1-2 on page 1-3):
 - a. ____ Connect cable **6** (PN 59G1270) from the display port **1** to connector **5** of cable **9** (this cable is connected inside of the display).
 - b. ____ Connect cable **7** (PN 59G1271) from connectors **2** and **3** to the keyboard connector.
 - c. ____ Secure cables using tie clamps (PN 1159519).

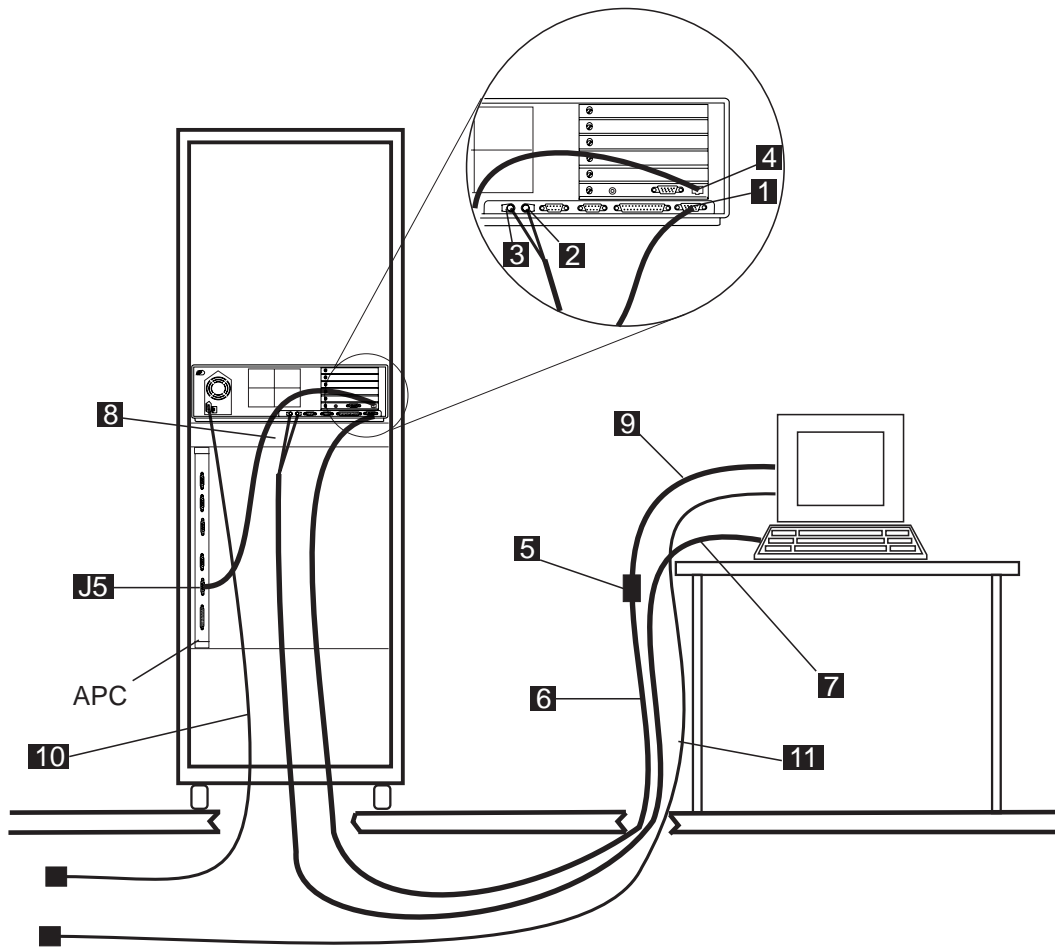


Figure 1-2. NAS, Cables Installation

6. ____ Connect the power cords **10** and **11** to the display and the NAS.

Warning: Before connecting the NAS to the power plug, check the setting of the voltage selection switch at the rear of your NAS. If you set this switch to the wrong position, you might damage your NAS when you turn it ON. If you need to adjust the voltage setting, use a ballpoint pen to slide the switch to the correct position.

 - If the voltage range measured at the NAS supply is between 90 and 137 volts, check to see that "110" or "115" is visible.
 - If the voltage range measured at the NAS supply is between 180 and 265 volts, check to see that "220" or "230" is visible.
7. ____ Plug the power cords into properly grounded electrical outlets.

Installing the NAS and its Modem

Do you have to connect the NAS to a RISC System/6000 ? (node gateway),

- **Yes**, go to “Connecting the NAS to the NMS” on page 1-8.
- **No**, go to “Installing and Connecting the External Modem” on page 1-13.

Installing the NAS Display in the Rack

The NAS is shipped installed in the rack, while the keyboard and the display are shipped separately.

1. ___ Unpack the hold down PN 80G3818 or PN 76H0338.
2. ___ Install the front panel assembly **A** on the tray **B** and secure it using the braces **C** and nuts **D**.

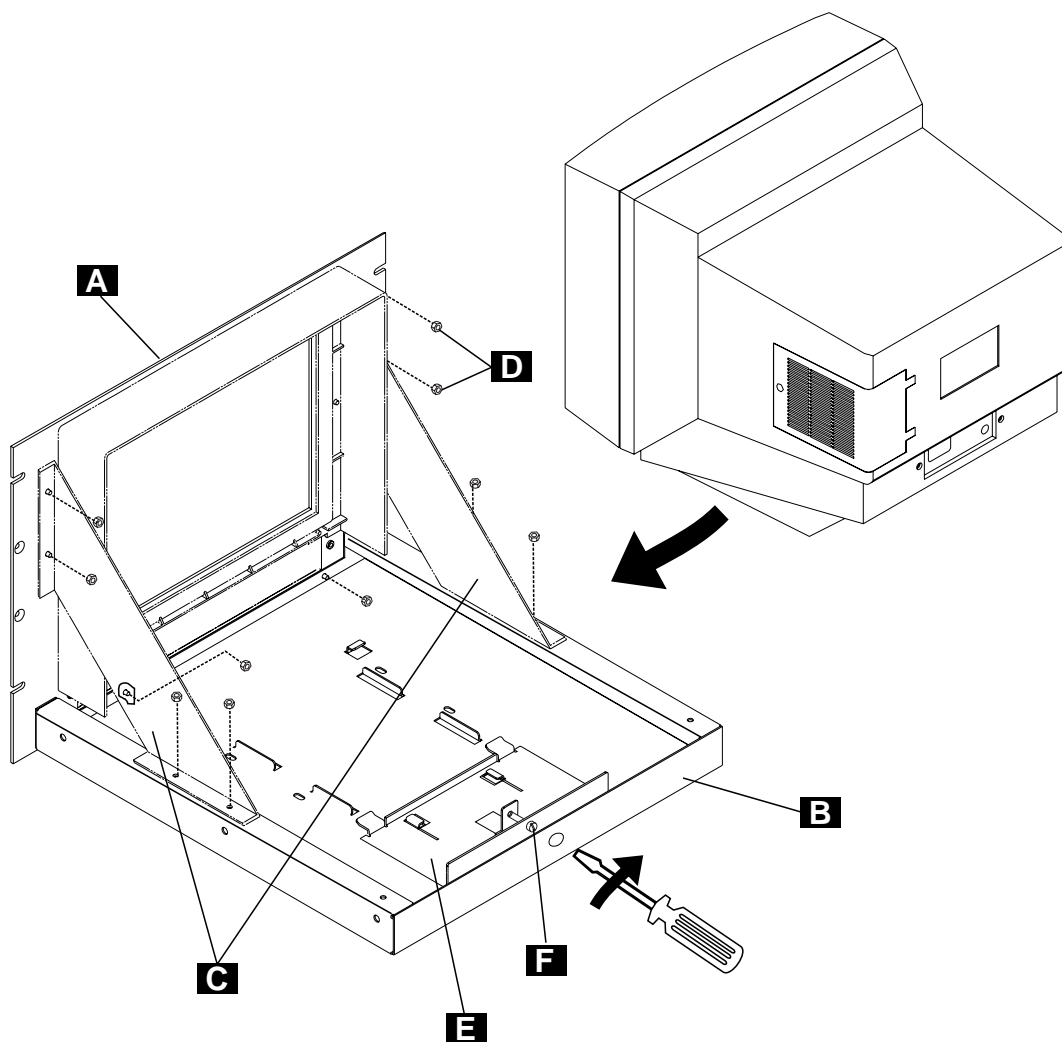


Figure 1-3. Display Installation

3. ___ Unpack the display.
4. ___ Install the display on the tray. Install the latch plate **E** to maintain the display and secure it with screw **F**.
5. ___ Install the tray into the rack, and secure it with screws **G**.

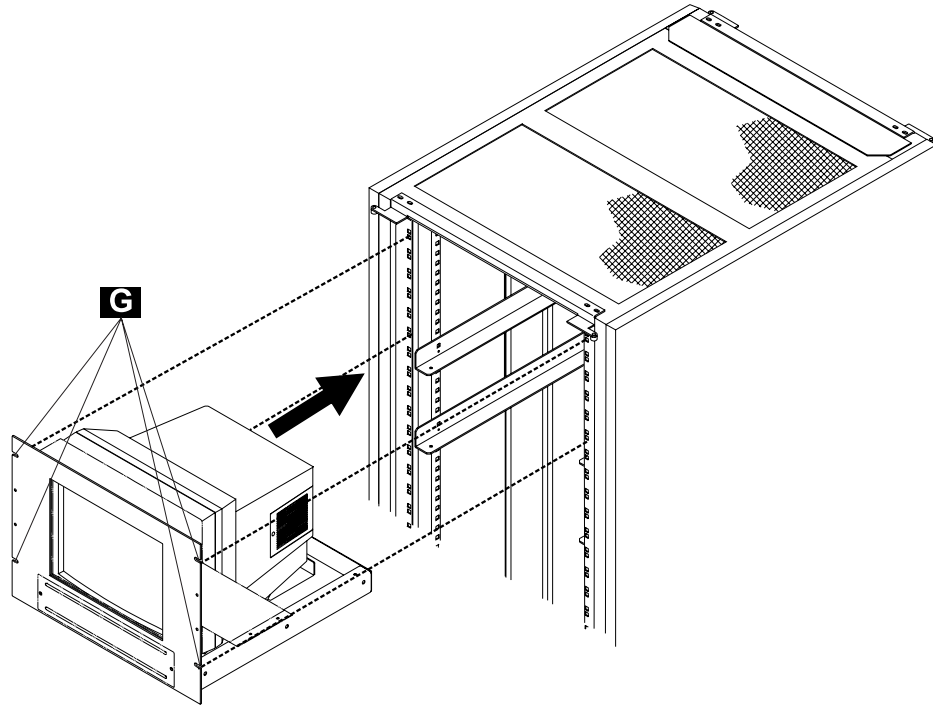


Figure 1-4. Display Assembly Installation in the Rack

6. Continue with “Connecting the NAS with the Display and Keyboard in the Rack” on page 1-6.

Connecting the NAS with the Display and Keyboard in the Rack

There are two types of NAS, **7585** and **7585-P02** (refer to Figure 1-7 on page 1-7). In the following chapters, refer to this drawing to identify the proper cables connection.

1. ____ Unpack the keyboard (PN 59G7982 or 92G7455), open the service drawer **J**, and install the keyboard **K** in the drawer as shown in Figure 1-5.

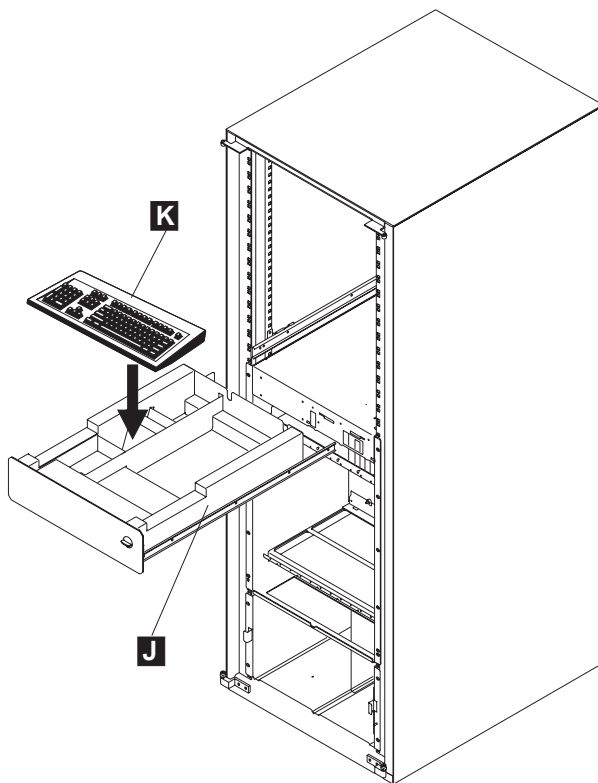


Figure 1-5. Keyboard Installation

2. ____ At the rear of the rack, connect the display signal cable **L** to the NAS connector **1** (refer to Figure 1-6 on page 1-7 and Figure 1-7 on page 1-7).
3. ____ Locate the keyboard cable **M** in the service drawer and plug it to the keyboard port **2** (mouse) and **3** (keyboard) at the rear of the NAS (refer to Figure 1-6 on page 1-7 and Figure 1-7 on page 1-7).

Warning Before connecting the NAS to the power plug, check the setting of the voltage selection switch at the rear of your NAS. If you set this switch to the wrong position, you might damage your NAS when you turn it ON. If you need to adjust the voltage setting, use a ballpoint pen to slide the switch to the correct position.

- If the voltage range in your country is between 90 and 137 volts, check to see that "110" or "115" is visible.
- If the voltage range in your country is between 180 and 265 volts, check to see that "220" or "230" is visible.

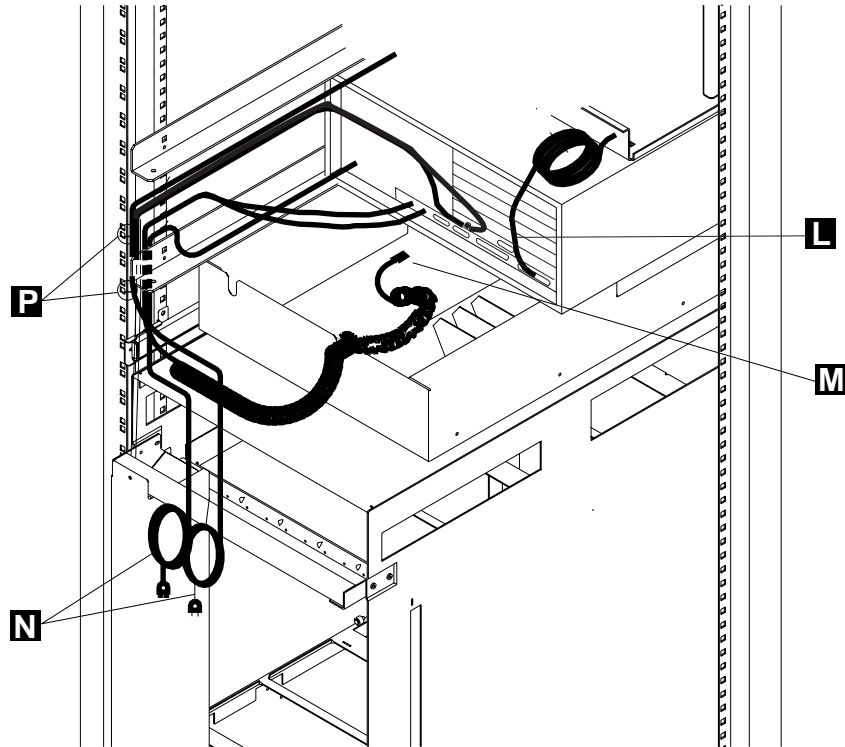


Figure 1-6. Display and Keyboard Cables Connection to the NAS

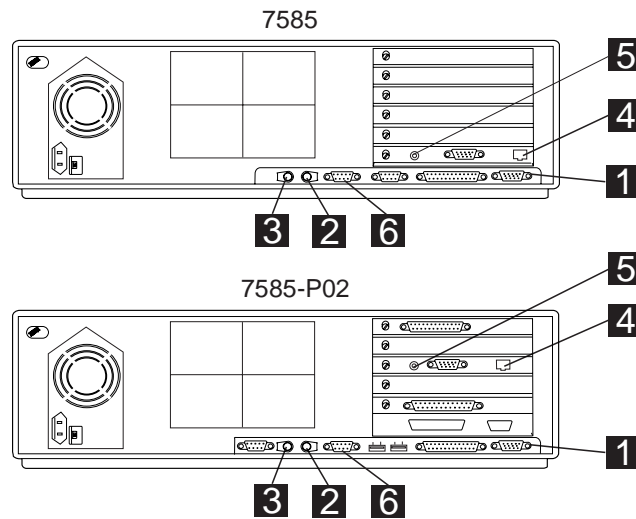


Figure 1-7. Cables Connection to the rear of the NAS

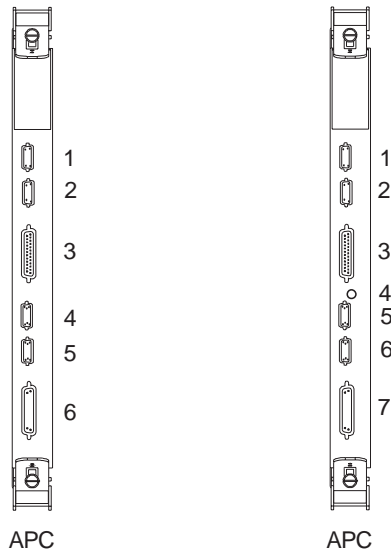
4. ____ Plug the power cords **N** into properly grounded electrical outlets.
5. ____ Secure cables using tie clamps **P** (PN 1159519).

Do you have to connect the NAS to a RISC System/6000 ? (node gateway),

- **Yes**, go to “Connecting the NAS to the NMS” on page 1-8.
- **No**, go to “Installing and Connecting the External Modem” on page 1-13.

Connecting the NAS to the NMS

Determine the type of the APC installed in your 2220 (type A has six connectors, type B has seven connectors):



APC Type A

APC Type B

Figure 1-8. APC Types

If you have:

- **APC type A**, go to “Connecting the NAS to an APC Type A” on page 1-9.
- **APC type B**, go to “Connecting the NAS to an APC Type B” on page 1-11.

Connecting the NAS to an APC Type A

The NAS is shipped connected to the APC:

- Cable **4** plugged to connector 5 of the APC module
- Cables **1** and **2** are connected between connector 4 of the APC module and plug J1 of the APC tailgate.

Attention: To avoid ALARM, do **NOT** connect cable **1** to connector 4 of the APC module if you do not have a RS/6000 to be connected to connector J1 of the APC tailgate.

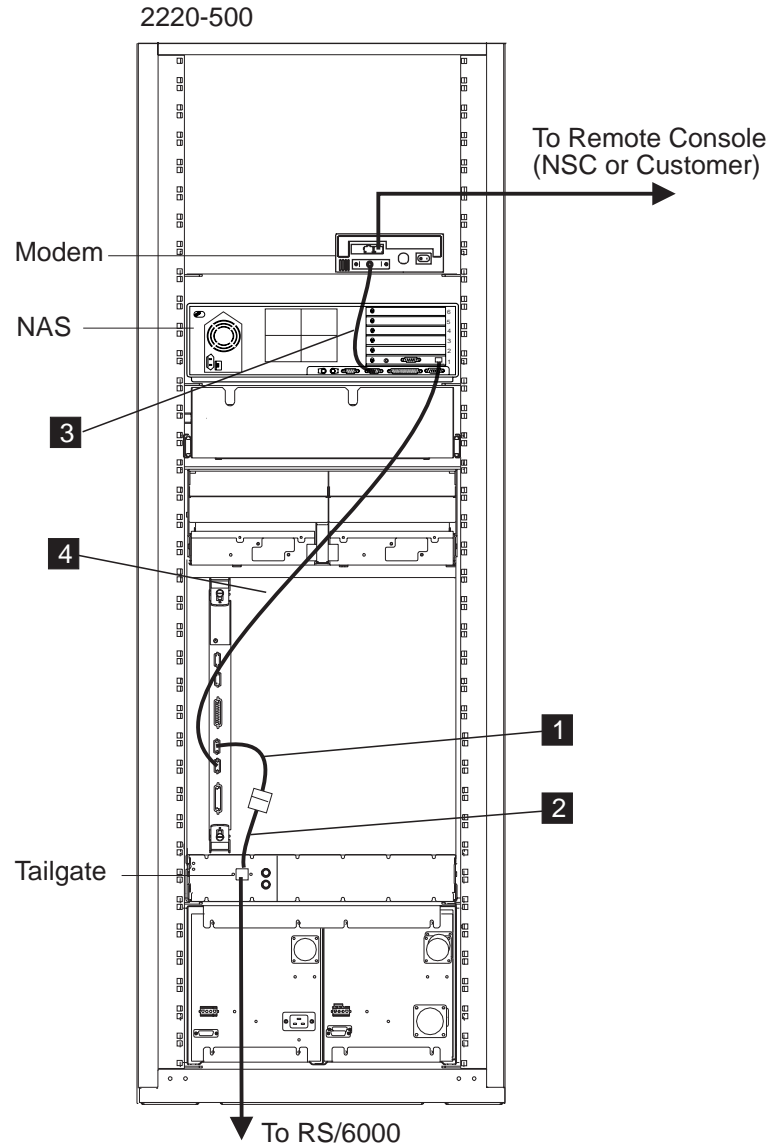


Figure 1-9. Connecting the NAS to an APC Type A

Connecting the 2220-300 or 2220-500 to the Network Management Station

In this configuration with the APC type A, only **one type** of connection is **possible**. The 2220 is connected to the network management station using a **10 base T** twisted pair cable.

Note: Your network management station can be connected to the 2220 via a Hub. In that case, use the appropriate cable according to the cable characteristics given in the *2220 Nways BroadBand Switch Planning Guide*, GA33-0293, appendix 'Cabling Information'.

1. ____ Obtain the cable shipped with the 2220 (PN 57G7998 for standard cable or PN 80G0705 for plenum cable).
2. ____ Plug this cable from the RISC System/6000 to connector J1 of the APC tailgate.

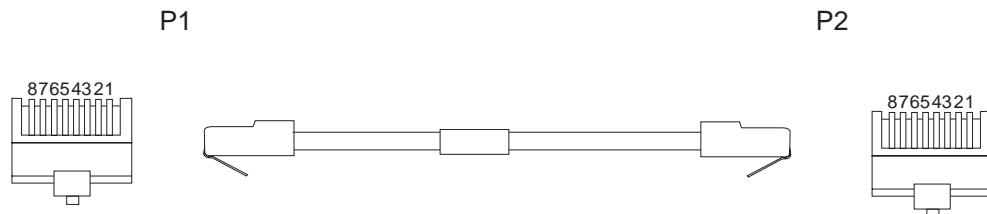


Figure 1-10. 10BaseT Cable

Go to “Installing and Connecting the External Modem” on page 1-13.

Connecting the NAS to an APC Type B

The NAS is shipped connected to the APC module and APC tailgate as follows:

- Cable **2** (PN 57G7813) plugged from the ethernet card of the NAS to connector 4 of the APC module.
- Cable **1** (PN 80G0635) is connected from connector 6 of the APC module to plug J1 of the APC tailgate.
- Cable **4** (PN 80G0637) is connected from plug J2 of the APC tailgate to connector 4 (via a T connector) of the APC module.
- Cable **5** (PN 80G0759) is connected from the ethernet card of the NAS to plug J3 of the APC tailgate.
- If from connectors **6** there is no link to the network management station, verify that terminators (PN 80G0639) are properly installed on the two BNC connectors.

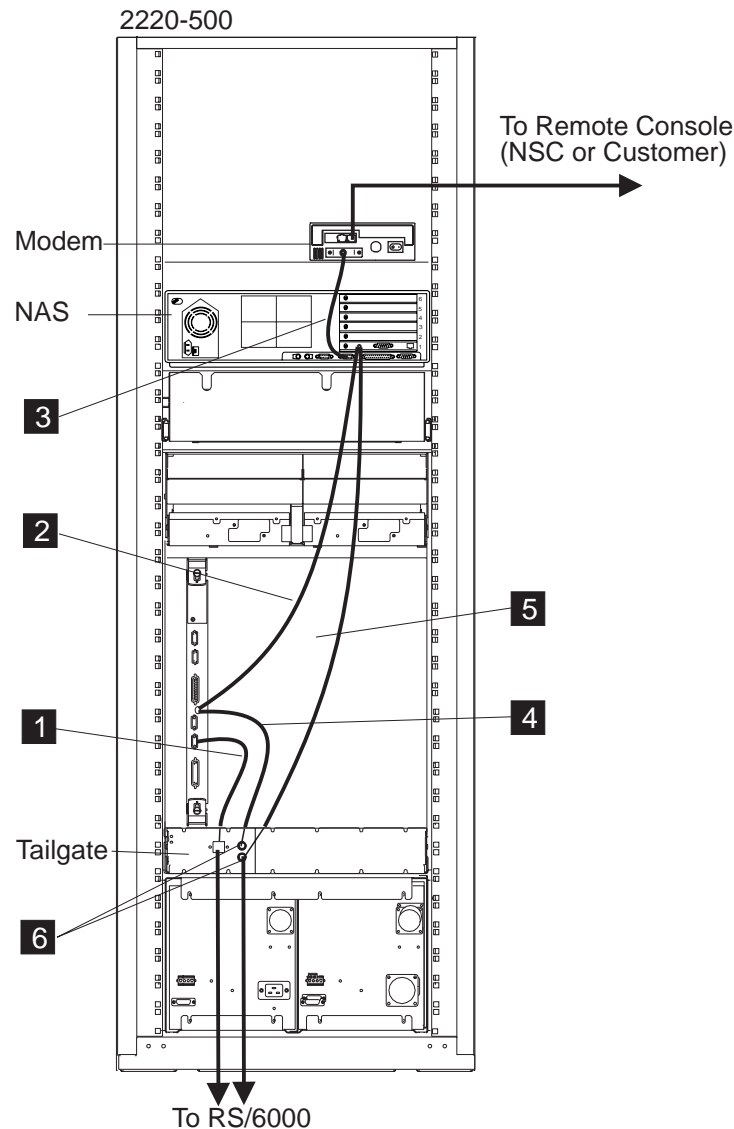


Figure 1-11. Connecting the NAS to APC Type B

Connecting the 2220-300 or 2220-500 to the Network Management Station

Note: Your network management station can be connected to the 2220 via a Hub. In that case, use the appropriate cable according to the cable characteristics given in the *2220 Nways BroadBand Switch Planning Guide*, GA33-0293, appendix 'Cabling Information'.

In this configuration with APC type B, the 2220 can be connected to the network management station using one of the two cable type:

- **10 base T, twisted pair**
- or **10 base 2, coax**

Table 1-1. Standard Cables between the 2220 and the RISC System/6000			
Cable Type	Length	Part Number	Feature Code
10BaseT	9 m (29 ft 6 in.)	57G7998	5370
10Base2	9 m (29 ft 6 in.)	80G0589	

Obtain the cable shipped with the 2220, and connect as follows:

- **10 base T, twisted pair cable** Plug this cable from the RISC System/6000 to connector J1 of the tailgate.

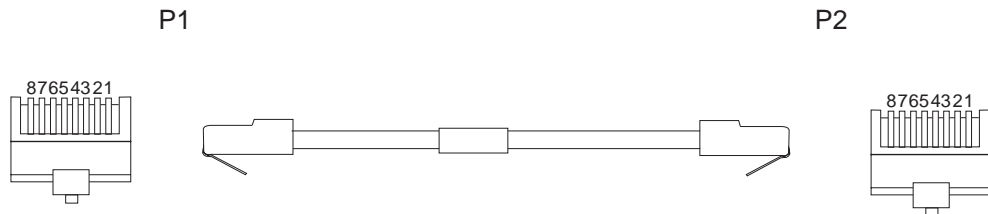


Figure 1-12. 10BaseT Cable

- or **10 base 2, coax cable**. In that case, remove the terminator installed on J2 or J3 of the APC tailgate and then plug this cable from the RISC System/6000 to connector J2 or J3.

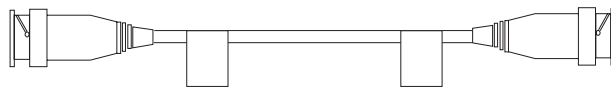


Figure 1-13. 10Base2 Cable

Go to “Installing and Connecting the External Modem” on page 1-13.

Installing and Connecting the External Modem

Which modem did you receive?

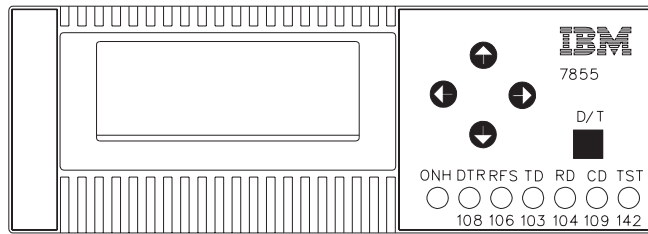


Figure 1-14. Modem Type A

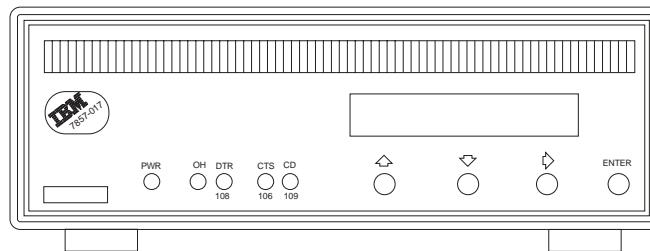


Figure 1-15. Modem Type B

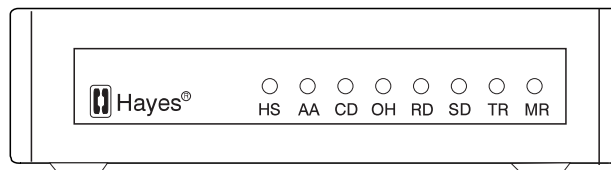


Figure 1-16. Modem Type C



Figure 1-17. Modem Type D

Depending on the modem received:

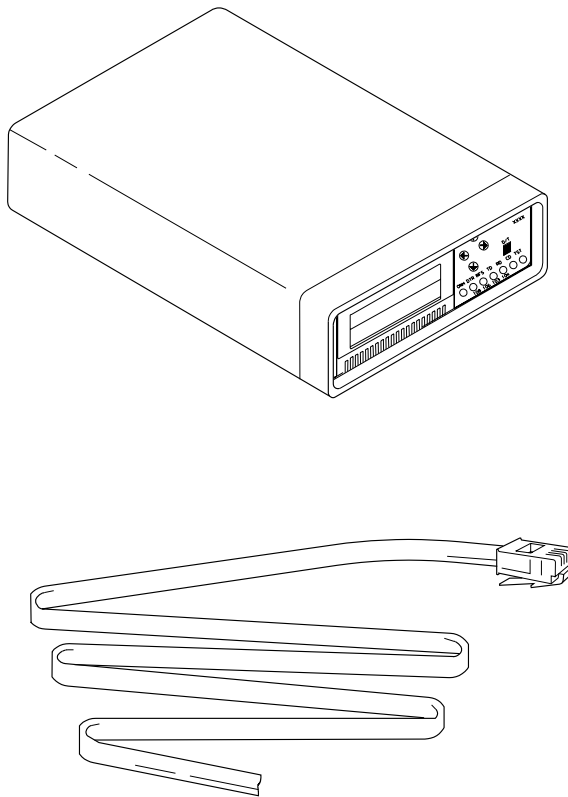
- **Type A**, go to “Installing and Connecting the 7855 Modem” on page 1-14.
- **Type B**, go to “Installing and Connecting the 7857 Modem” on page 1-20.
- **Type C**, go to “Installing and Connecting the Hayes** Modem” on page 1-26.
- **Type D**, go to “Installing and Connecting the 7858 Modem” on page 1-28.

Installing and Connecting the 7855 Modem

Notes

1. If you are not familiar with the 7855, refer to the *IBM 7855 Guide to Operation*, GA33-0160. The PN of the guide depends on the country where you are installing the modem.
2. Power and frequency requirements: 90 to 259 V ac, and 49.5 to 60.5 Hz (no adjustment).

Unpacking the Modem



Besides the modem and this manual, the carton should contain:

- Telecommunication cables as needed for your country.
- A DTE interface wrap plug.
- A 4-wire nonswitched line wrap socket or plug.

If any of these items is missing or damaged, contact the place of purchase for instructions on how to exchange your modem or obtain the missing items.

Note: The telecommunication cables are color-coded. There are three ways (depending on your country) to identify the color of your cables by:

- The color of the cable insulation
- The colored sticker on the cable's label

- The colored identification band around the cable.

Go to “Installing the Modem.”

Installing the Modem

1. ____ **Be sure** that the **power switch** located on the modem’s rear panel is **off** as shown in Figure 1-19 on page 1-16.
2. ____ **Plug** the switched network telecommunication cable into the 8-pin *PSTN* or *PSN* jack located on the modem’s rear panel. If this modem is **not** being installed in the United Kingdom, connect the other end of the cable to the telecommunication line. See Figure 1-18.

Note: The PN of the telecommunication cable depends on the country where the modem is installed, refer to Table 1-2 on page 1-16 to determine which cable is required. For the power plugs and cables characteristics, refer to the *Power Supply and Telecommunication Connections*, GA33-0054.

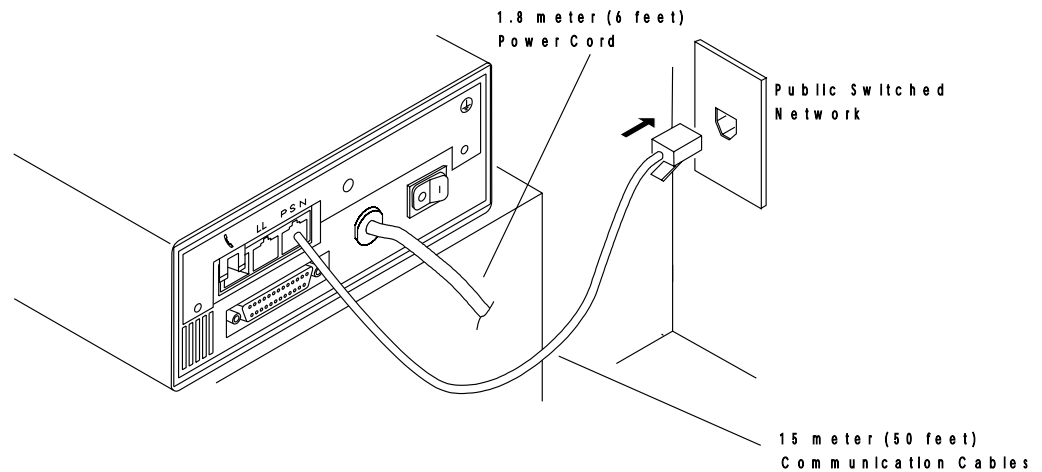


Figure 1-18. Installing Telecommunication Line Cables. Your modem’s rear panel may have the PSTN and LL connectors located differently from those shown.

Installing the NAS and its Modem

Country	Part Number
Philippines, Chile, Argentina, Japan	53F6095
France	74F4493
Italy	74F4498
Hong-Kong, UK, China, Thailand	74F4504
Austria	74F4485
Norway	74F4490
Sweden	74F4502
Denmark	74F4488
Belgium	74F4507
Netherland	74F4500
Iceland	74F4502
Spain	93F1528
Israel	93F1532
Portugal, Egypt, Greece, Poland, Bosnia, Serbia, Slovenia, Croatia, Macedonia, Saudi Arabia	74F8370

3. ____ **Connect** the modem's **power plug** to a standard 3-pin *grounded ac* outlet. If this modem is being installed in the United Kingdom, connect the telecommunication cables you have attached to the modem to the telecommunication lines now.

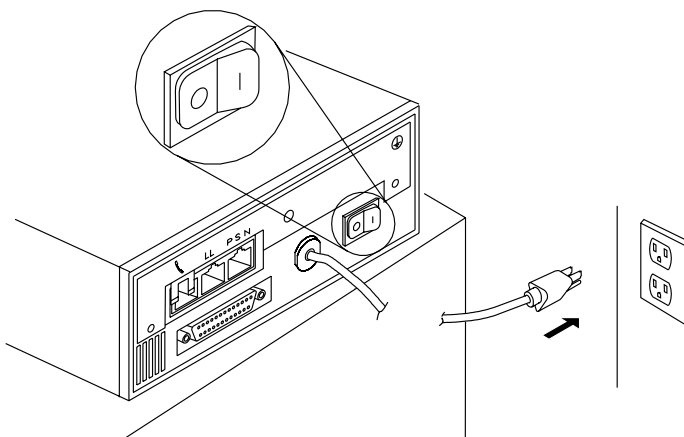


Figure 1-19. Connecting ac Power

Note: In the next steps, you are instructed to manipulate the front panel buttons of the modem. Unless the step suggests otherwise, do not press them for longer than one second.

4. ____ **Plug** the DTE **wrap connector** (PN 53F6102) into the back of the modem.
5. ____ **Set** the modem's **power** switch to **on**. If after 10 seconds *all* the front panel lights are still **on** or the TST light is blinking, the modem is defective and

should be replaced. The RFS light on the modem may blink while the DTE wrap connector is installed. This is normal.

If the modem is set to its factory defaults, the front panel shows SYNC Int 9600
a. This operational message shows that the modem is set for synchronous 9600 bps operation with internal clocking and the modem will auto-answer an incoming call.

The next steps from 6 to 9 reset the modem's options to the factory default values.

6. ____ **Press** both the ← and → buttons on the front panel of the modem. The modem displays the message <Exit Enter>.
7. ____ **Press** the → button. If the modem displays View Only, go to step 8. If the modem displays Password...■■■■, use the → button and the ↑ button to change the display to Password...B293 by changing one character at a time. Press the → button one more time, and then check the display again to make sure it shows View Only.
8. ____ **Press and release** the ↑ or ↓ button as needed to change the display to show First Setup.
9. ____ **Press** the → button (just once) and then press and release the ↑ or ↓ button as needed to change the display to Reset to Factory.
10. ____ **Press** the ← button. All the lights on the front panel come **on** briefly.
11. ____ **Press and release** the ↑ or ↓ button until the display shows Diagnostics.
12. ____ **Press** the → button twice. The display should show Do Tests and then Test Timer.
13. ____ **Press and release** the ↑ or ↓ button until the display shows Select Test and then **press** the → button once.
14. ____ **Press and release** the ↑ or ↓ button to change the display to Pass/Fail and then **press** the → button once.
15. ____ Use (meaning **press and release**) the ↑ or ↓ button to change the display to Speaker Test and then press the ← button. The display should change to show Pass/Fail, the TST light should turn **on**, and the modem's speaker should immediately turn **on** and emit tones at a high volume level for about 2 seconds. You will normally hear both a modem-generated tone and dial tone during this portion of the test but it is OK if you hear only a single tone. The speaker then turns **off** for about 2 seconds and then turn back **on** and emits tones at a low volume level for about 2 seconds. The modem is operating correctly if you hear the pattern of *loud, off, quiet, off* of the speaker's volume. If not, replace it.
16. ____ **Dial** the modem's phone number from another telephone. You should hear a volume pattern of *loud, quiet, loud, off* in the handset of the dialing telephone. If you hear the correct tone pattern, go to step 18. Otherwise, continue with step 17.
17. ____ If you do not hear the tone, **verify** that the **telephone line** is operating properly. In most countries, you can do this by replacing the modem with a handset and then attempting a second time to dial the modem's phone number from another telephone to verify that the handset rings properly. If it does not ring, either the phone line is bad or the wrong phone number is being used. Reconnect the modem and try dialing the modem's phone number again. Observe the front panel ONH light. This light turns **off** when the modem

Installing the NAS and its Modem

- answers. If this attempt to call the modem fails, the modem is defective. Replace it.
18. ____ **Set** the modem's power switch to **off**.
 19. ____ **Detach** the DTE **wrap plug** from the modem.
 20. ____ Use the following steps to configure the modem as follows: asynchronous, auto-answer, and at 9600 bps. Set the modem's power switch to **on**. Wait until the modem front panel stabilizes (about 10 seconds).
 21. ____ Press both the ← and → buttons on the front panel of the modem. The modem displays the message <Exit Enter>.
 22. ____ Press the → button. If the modem displays: View Only, go to step 23. If the modem displays Password...■■■■, use the → button and the ↑ button to change the display to Password...B293. By changing one character at a time, press the → button one more time, and then check the display again to make sure it shows : View Only.
 23. ____ Press and release the ↑ or ↓ button as needed to change the display to show : First Setup.
 24. ____ Press the → button (just once) and then press and release the ↑ or ↓ button as needed to change the display to: Asynchronous AT
 25. ____ Press the ← button once, the front panel display should show: First Setup.
 26. ____ Press and release the ↑ or ↓ button as needed to change the display to show : Total Customize.
 27. ____ Press the → button four times to change the display to:
 - a. DTE Interface
 - b. Data Type
 - c. Idle/Data ASYNC
 - d. Async Format 7E1
 28. ____ Press and release the ↑ or ↓ button as needed to change the display to show: Async Format 8E1.
 29. ____ Press the → button (just once) and then press and release the ↑ or ↓ button to change the display to: Async Format 8N1
 30. ____ Press and release the ← button repeatedly, the front panel displays sequentially:
 - a. Idle/Data Async
 - b. Data Type
 - c. DTE Interface
 - d. Total Customize
 - e. <Exit Enter>.
 - f. Remain Unlocked.
 - g. Save Profile 0.
 - h. ASYN8N A 9600 a.

The display "ASYN8N A 9600 a" means that the modem is set to:

- ASYN** Asynchronous
- 8** 8 data bits per asynchronous character
- N** No parity bit
- A** AT command set available
- 9600** Preferred line speed at 9600 bps.
- a** auto-answer

31. ____ Set the modem's power switch to **off**.
32. ____ Install the modem on the rear side of the NAS, then refer to Figure 1-20, and plug cable PN 80G0597 to connector **1** of the NAS.
33. ____ Plug the other cable lead **2** into the 25-pin connector on the modem's rear panel.
34. ____ **Set** the modem's **power** switch to **on**. Wait until the modem front panel stabilizes (about 10 seconds). The modem shows "ASYN8N A 9600 a".
35. ____ You have just set up the modem and verified most aspects of the modem's operation. When the 7855 is power ON, the **ONH** LED must be ON. If not, use the *IBM 7855 Guide to Operation, GA33-0160*, chapter 10 to perform problem determination.

Note: When the NAS is power ON and initialize, the modem's **DTR** and **RFS** LEDs should be **ON**. If not and if these LEDs turn ON when the modem is initially powered ON, check the NAS-to-modem cable and the multiprotocol adapter in the NAS.

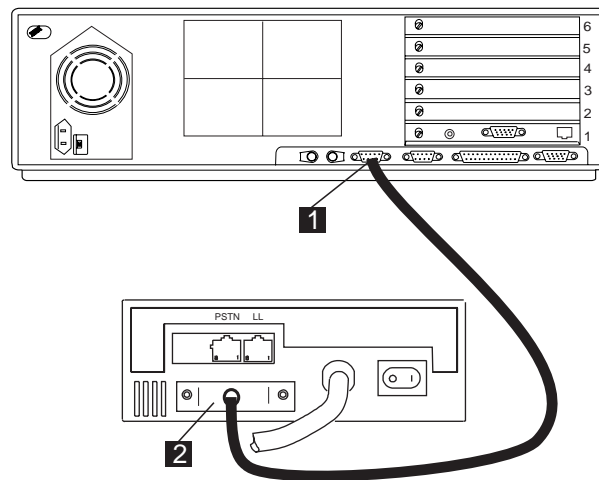


Figure 1-20. Connecting the 7855 modem to the NAS

Note: If you are installing a NAS type **7585-P02**, refer to Figure 1-1 on page 1-2 and plug cable into port **6**.

End of NAS and modem installation. Continue with the 2220 Nways BroadBand Switch Setup Guide, SY33-2105 (P/N 59G0544)

Installing and Connecting the 7857 Modem

Notes

1. If you are not familiar with the 7857 modem, refer to the *IBM 7857 Guide to Operation*, GA13-1839.
2. Power and frequency requirements: 90 to 259 V ac, and 49.5 to 60.5 Hz (no adjustment).

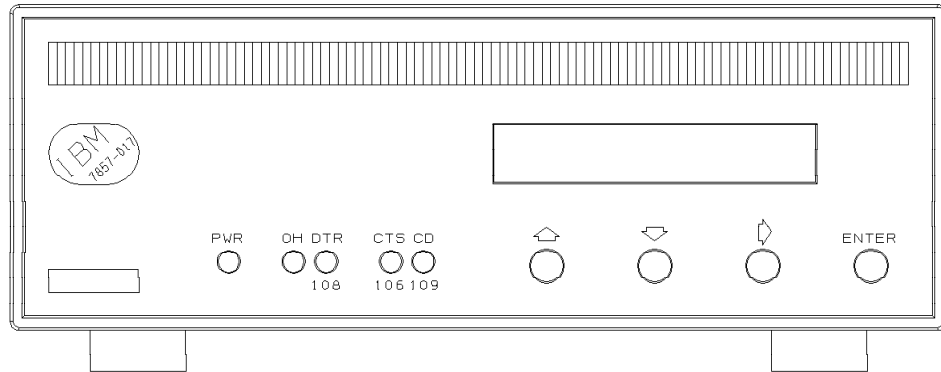


Figure 1-21. 7857 Front Panel

Besides the modem and this manual, the carton should contain:

- Telecommunication cables as needed for your country:
 - Black cable:
 - Switched line cable, with label **SW**, which fits into the PSTN socket in the modem rear panel.
 - Gray cables:
 - 2-wire leased line cable, with label **LL 2W**, which fits into the LL socket in the modem rear panel.
 - 4-wire leased line cable, with label **LL 4W**, which fits into the LL socket in the modem rear panel.
- DTE interface / 4-wire leased line wrap plugs.
- Telecommunication Products Safety Handbook.

If any of these items is missing or damaged, contact the place of purchase for instructions on how to exchange your modem or obtain the missing items. The user is recommended to use the telecommunication cables supplied with the modem (see “Telecommunication Cables Part Numbers” on page 1-21).

Telecommunication Cables Part Numbers

<i>Table 1-3. Telecommunication cables</i>	
Country	PN
Albania	89G2554
Argentina	89G2554
Australia	89G2564
Austria	89G2544
Belgium	89G2545
Bolivia	89G2554
Brazil	89G2554
Bulgaria	89G2554
Canada	89G2562
China	89G2554
Colombia	89G2554
Costarica	89G2554
Croatia	89G2554
Cyprus	89G2577
Czechland	89G2554
Denmark	89G2546
Egypt	89G2554
El Salvador	89G2554
Equador	89G2554
Finland	89G2547
France	89G2548
Germany	89G2549
Greece	89G2554
Guatemala	89G2554
Honduras	89G2554
Hong Kong	89G2565
Hungary	89G2554
Iceland	89G3145
Ireland	89G2554
Israel	89G3131
Italy	89G2551
Japan	89G2562
Korea	89G2554
Kuwait	89G2554
Luxemburg	89G3134
Macedonia	89G2554
Mexico	89G2554
Netherlands	89G2552
New Zealand	89G2577
Norway	89G2553
Pakistan	89G2554
Panama	89G2554

<i>Table 1-3. Telecommunication cables</i>	
Country	PN
Paraguay	89G2554
Peru	89G2554
Poland	89G2554
Portugal	89G2554
Rumania	89G2554
Russia	89G2554
Saudi Arabia	89G2554
Slovakia	89G2554
Slovenia	89G2554
South Africa	89G3135
Spain	89G2554
Sweden	89G2555
Switzerland	89G2556
Taiwan	89G2554
Thailand	89G2554
Turkey	89G2554
UK	89G2577
Ukraine	89G2554
Uruguay	89G2554
US	89G2562
Venezuela	89G2554

Installation procedure

Figure 1-22 shows the modem rear panel with the connectors where the DTE and line cables must be connected:

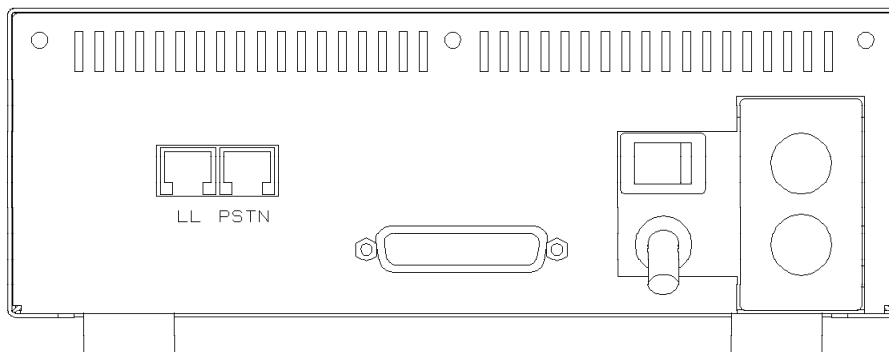


Figure 1-22. 7857 Rear Panel

1. ___ Be sure that the power switch located on the modem rear panel is **off**.
2. ___ If you are going to use a switched line telecommunication cable, plug it into the **PSTN** socket located on the modem rear panel, with the ferrite cylinder at the modem side. If this modem is **not** being installed in the United Kingdom, connect the other end of the cable to the telecommunication line.
3. ___ If you plan to use a leased line telecommunication cable, plug it into the **LL** jack located on the modem rear panel, with the ferrite cylinder at the modem side. If this modem is **not** being installed in the United Kingdom, connect the other end of the cable to the telecommunication line.
4. ___ Connect the modem power plug to a standard 3 pin *grounded* ac outlet. Then, if this modem is being installed in the United Kingdom, connect the telecommunication cables you have attached to the modem, to the telecommunication lines.
5. ___ You are now requested to observe the modem power on sequence. This is the normal power on sequence:
 - PWR light is turned on.
 - HW SELFTEST RUNNING message is displayed for about 15 seconds.
 - DSP SELFTEST RUNNING message is displayed for about 15 seconds.

Set the modem power switch to **on**. If the PWR light is not **on**, or the message HW SELFTEST RUNNING is not appearing on the operator panel within 10 seconds, the modem is defective and should be replaced. This message remains on the display for about 15 seconds, then it is changed by the power on sequence.

If the modem is set to the factory defaults, after about 30 seconds, the operator panel shows:

```
IBM 7857 AT CMD aa█  
td_ rd_ dsr ec_█ 11_█
```

This operational message shows that the modem is set in AT command mode for switched line operation and will auto-answer an incoming call.

The next steps reset the modem options to the factory default configuration 0. Jump ahead to step 7 if the modem has never been used.

In the next steps, you are instructed to manipulate the front panel buttons of the modem. Unless the step suggests otherwise, do not press them in for longer than one second.

6. ___ Set the modem power switch to **off**, then hold the ↑ key pressed and set the power switch to **on**. When the message HW SELFTEST RUNNING is shown, release the ↑ key.

After about 15 seconds the message is changed to DSP SELFTEST RUNNING and then after another 15 seconds to:

```
IBM 7857 AT CMD aa
td_ rd_ dsr ec_ 11_
```

If this sequence does not occur, the modem is defective. Replace it.

7. ___ The next steps can only be done if you have attached the modem to the public switched network. Go to step 11 if you do not want to test the modem's public switched network interface.
8. ___ On the modem operator panel:
 - Press the ↑ key until the "C108 (DTR)" message is displayed on the top row.
 - Press the → key until the "Forced On" message is displayed on the bottom row.
 - Press the ENTER key twice to select the option and to return to the modem operational mode message.
9. ___ Dial the modem phone number from another telephone. You should hear the ringing tones and then the 2100 Hz answer tone from the called modem in the handset of the dialing telephone. If you hear the answer tone, go to step 11. Otherwise, continue with step 10.
10. ___ If you do not hear the modem answer tone, verify that the telephone line is operating properly. In most countries, you can do this by replacing the modem with a handset and then attempting a second time to dial the modem phone number from another telephone to verify that the handset rings properly.

Connect again the modem to the public switched network and try dialing the modem phone number again. Observe the front panel OH light. This light turns **off** when the modem answers. If this attempt to call the modem fails, the modem is defective. Replace it.

11. ___ Set the modem power switch to **off**.

Note: The following steps assume that your DTE is already installed and operational.

12. ___ Connect the 25-pin V.24 cable from the DTE to the 25-pin connector on the modem rear panel. Fasten the connector retaining screws.
13. ___ Set the modem power switch to **on**. Wait until the modem operational message is displayed on the operator panel (about 30 seconds). If the modem is connected to an asynchronous DTE which can send AT commands to the modem, you can use the DTE to configure the modem to match your

Installing the NAS and its Modem

communication system requirements. Otherwise, the modem can be configured through the operator panel.

14. ___ Now the modem is ready for operation; you can try it with your system. If you observe a basic system problem, such as the DTE not being able to send commands to the modem successfully, verify again that your individual modem configuration parameters are matching your system requirements. If you have a problem while using the modem, see *IBM 7857 Guide to Operation*, GA13-1839, chapter "Problem Determination".

If the 7857 modem operator panel does not show the following message (see Figure 1-23), the modem needs to be configured through the operator panel, go "Setting the 7857 Modem," otherwise go to "Connecting the 7857 Modem" on page 1-25 .

```
IBM 7857 AT CMD aa
td_ rd_ dsr ec_ 11_
```

with:

```
PWR      LED ON
OH       LED OFF
DTR(108) LED ON
CTS(106) LED ON
CD(109)  LED OFF
```

Figure 1-23. 7857 Modem Operator Panel Display

Setting the 7857 Modem

1. ___ Press the ↓ key until the "CONFIGURATIONS" message is displayed on the top row.
2. ___ Press the → key until the "Select Factory" message is displayed on the bottom row.
3. ___ Press the ENTER key to select the option.
4. ___ Press the ↑ key until "0" is displayed.
5. ___ Press the ENTER key to load the predefined factory configuration 0. The modem is now in AT mode, auto answer, and asynchronous mode.

Saving the Configuration of the 7857 Modem

If you want to save the configuration just defined, in order to have it loaded again at the next modem reset, perform the following steps:

1. ___ Press the key until the "CONFIGURATIONS" message displayed the top row.
2. ___ Press the key until the "Store User Conf." message displayed the bottom row.
3. ___ Press the ENTER key select the option.
4. ___ Pressing the key, select the User Configuration Location where the current modem configuration must be saved (0 to 9).
5. ___ Press the ENTER key save the current modem configuration.
6. ___ The defined configuration now active and saved.

Now every time the modem is reset (power on), the last user configuration which was saved is loaded as the current modem configuration.

Connecting the 7857 Modem

1. ____ **Plug** the cable (PN 80G0597) to connector **1** of the NAS.
2. ____ On the modem's rear panel, **plug** the other cable lead into the 25-pin connector **2**.

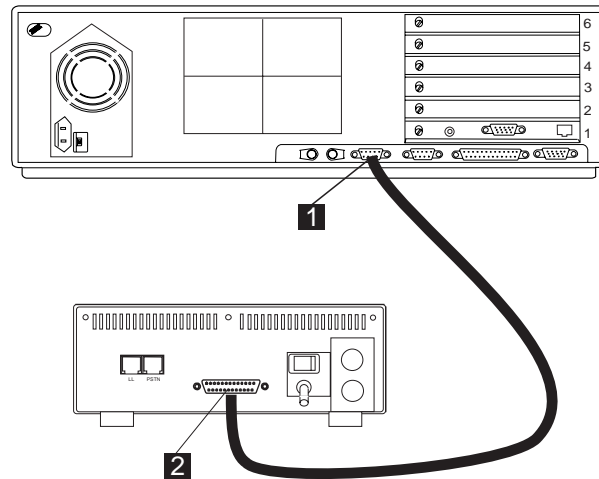


Figure 1-24. Connecting the Service Processor to the 7857 Modem

Note: If you are installing a NAS type **7585-P02**, refer to Figure 1-1 on page 1-2 and plug cable into port **6**.

End of NAS and modem installation. Continue with the 2220 Nways BroadBand Switch Setup Guide, SY33-2105 (P/N 59G0544)

Installing and Connecting the Hayes** Modem

Notes

1. If you are not familiar with the Hayes modem, refer to the Hayesuser's guide.
2. Power and frequency requirements:
 - Input voltage: 230V +/-10%, 50 Hz (ac)
 - Nominal output voltage: 9 V ac
 - Maximum output voltage: 12.1 V ac
 - Rated load current: 800 mA ac 50 Hz

1. Unpack and install the modem on the rear side of the NAS.

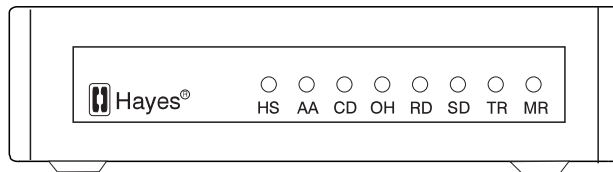


Figure 1-25. Front View

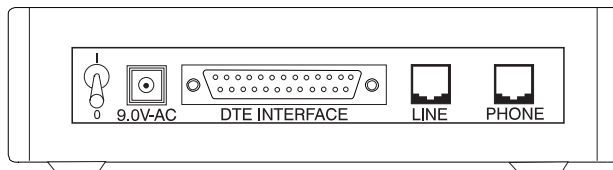


Figure 1-26. Rear View

2. Refer to Figure 1-27 on page 1-27 and connect the cables as follows:

Note: Cables **1** and **2** are country dependant.

- a. ___ Plug the power cable **1** from connector '9.0V-AC' to a standard 3-pin grounded ac outlet.
- b. ___ Plug the interface cable **3** from the 'DTE INTERFACE' modem's connector to NAS's connector **4**.
- c. ___ Plug the switched network telecommunication cable **2** from the Line connector to the telecommunication line.

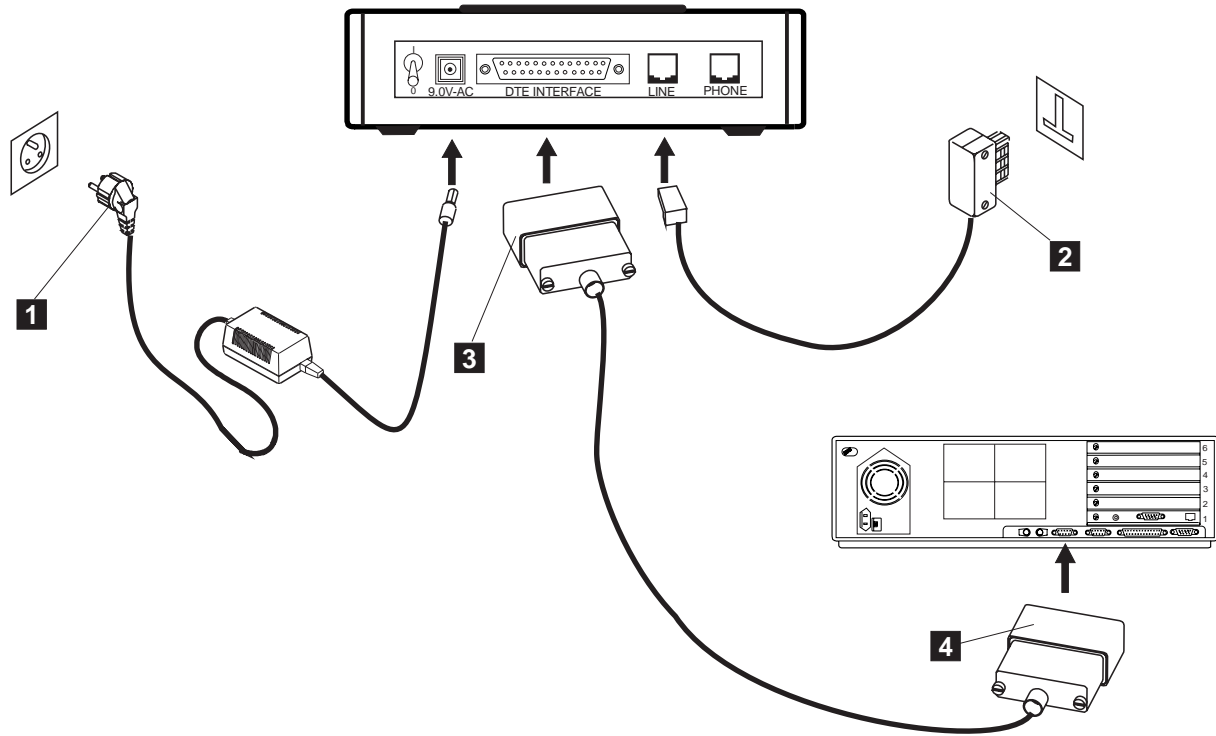


Figure 1-27. Connecting the Hayes

Note: If you are installing a NAS type **7585-P02**, refer to Figure 1-1 on page 1-2 and plug cable into port **6**.

End of NAS and modem installation. Continue with the 2220 Nways BroadBand Switch Setup Guide, SY33-2105 (P/N 59G0544)

Installing and Connecting the 7858 Modem

Notes

1. If you are not familiar with the 7858, refer to the *IBM 7858 Professional Modem Guide to Operation*, GA13-1981.
2. Power requirements:
 - Low voltage range: 90 to 137 V ac.
 - High voltage range: 180 to 265 V ac.
3. The document *Power Supply and Telecommunication Connections for IBM Modems GA33-0054*, contains useful information about the different telecommunication connectors and power supply plugs.
4. Read the *IBM Telecommunication Products Safety Handbook*, SD21-0030.



Figure 1-28. 7858 Front Side



Figure 1-29. 7858 Rear Panel

7858 Modem installation

This chapter describes how the modem can be easily installed and how to configure it in order to have it immediately operational.

Besides the modem and this manual, the carton should contain:

- The Power Attachment Cord.
- Two Telecommunication cables:
 - Black cable for the switched line, with label SW, which fits into the PSTN socket in the modem rear panel.

- Gray cable for the leased line, with label LL, which fits into the LL socket in the modem rear panel.
- The IBM Telecommunication Products Safety Handbook.

If any of these items is missing or damaged, contact the place of purchase for instructions on how to exchange your modem or obtain the missing items.

Warning

In order to avoid damages to the unit, before starting the installation, verify the modem input AC Voltage setting against the power voltage source available at your wall socket.

If needed, the selector switch can easily be moved to the correct position, using a screwdriver or a pen:

- Switch set to 115 for low voltage range: 90 - 137 VAC.
- Switch set to 230 for high voltage range: 180 - 265 VAC.

1. ___ **Be sure** that the **power switch** located on the modem rear panel is **off** (switch in position "O")
2. ___ Plug the switched line telecommunication cable shipped with the modem into the **PSTN** socket located on the modem rear panel. If this modem is **not** being installed in the United Kingdom, connect the other end of the cable to the telecommunication line.
3. ___ Connect the power attachment cord to the AC power socket located on the modem rear panel and the power plug to a standard 3 pin grounded ac outlet. Then, if this modem is being installed in the United Kingdom, connect the telecommunication cables you have attached to the modem, to the telecommunication lines.
4. ___ You are now requested to observe the modem power on sequence.

This is the normal power on sequence:

- PWR light is turned on.
- SELFTEST RUNNING message is displayed for about 15 seconds.

Set the modem power switch to **on** (switch in position "I").

If the PWR light is not **on** and the voltage selector switch is correctly set and you are sure the power voltage is present at the wall socket, the modem is defective and should be replaced.

If the message SELFTEST RUNNING is not appearing on the operator panel within 10 seconds, the modem is defective and should be replaced. This message remains on the display for about 15 seconds, then it is changed by the power on sequence.

If the modem is set to the factory defaults, the operator panel shows :

```
AT CMD  ec  aa
td_ rd_ dsr_ ll_
```

Figure 1-30. 7858 Operator Panel Display

Installing the NAS and its Modem

This operational message shows that the modem is set in AT command mode for switched line operation with error control enabled and will auto-answer an incoming call.

In the next steps, you are instructed to manipulate the front panel buttons of the modem. Unless the step suggests otherwise, do not press them in for longer than one second.

The next step reset the modem options to the factory default configuration 0. Jump ahead to step 6 if the modem has never been used.

5. ____ Set the modem power switch to off, then hold the ↑ key pressed and set the power switch to on. When the message SELFTEST RUNNING is shown, release the ↑ key.

After about 15 seconds the message is changed to:

```
AT CMD  ec  aa
td_ rd_ dsr_ ll_
```

Figure 1-31. 7858 Operator Panel Display

If this sequence does not occur, the modem is defective and should be replaced.

6. ____ The next steps are used to test the modem's interface, go to step 10 if you do not want to test the modem's public switched network interface.
7. ____ On the modem operator panel:
 - a. Press the ↑ until the "DTR (C108)" message is displayed on the top row.
 - b. Press the → key until the "Forced On" message is displayed on the bottom row.
 - c. Press the ENTER key twice to select the option and to return to the modem operational mode message.
8. ____ Dial the modem phone number from another telephone. You should hear the ringing tones and then the 2100 Hz answer tone from the called modem in the handset of the dialing telephone. If you hear the answer tone, go to step 10. Otherwise, continue with step 9.
9. ____ If you do not hear the modem answer tone, verify that the telephone line is operating properly. In most countries, you can do this by replacing the modem with a handset and then attempting a second time to dial the modem phone number from another telephone to verify that the handset rings properly.

Connect again the modem to the public switched network and try dialing the modem phone number again. Observe the front panel OH light. This light turns off when the modem answers. If this attempt to call the modem fails, the modem is defective and should be replaced.

10. ____ Set the modem power switch to off.

Note: The following steps assume that your DTE is already installed and operational.
11. ____ Connect the 25-pin V.24 cable from the DTE to the 25-pin connector on the modem rear panel. Fasten the connector retaining screws.
12. ____ Set the modem power switch to on. Wait until the modem operational message is displayed on the operator panel (about 15 seconds).

13. ____ Now the modem is ready for operation. You can try it with your system. If you observe a basic system problem, such as the DTE not being able to send commands to the modem successfully, verify again that your individual modem configuration parameters are matching your system requirements. If you have a problem while using the modem, see "Problem Determination" chapter in the *IBM 7858 Professional Modem Guide to Operation, GA13-1981*.

Saving the Configuration of the 7858

If you want to save the configuration and in order to have it loaded again at the next modem reset, perform the following steps:

1. ____ Press the ↓ key until the "CONFIGURATIONS" message displayed the top row.
2. ____ Press the → key until the "Store User Conf." message displayed the bottom row.
3. ____ Press the ENTER key select the option.
4. ____ Pressing the ↑ key, select the User Configuration Location where the current modem configuration must be saved (0 to 9).
5. ____ Press the ENTER key save the current modem configuration.
6. ____ The defined configuration now active and saved.

Now every time the modem is reset (power on), the last user configuration which was saved is loaded as the current modem configuration.

Connecting the 7858

1. ____ **Plug** the cable (PN 782985) into slot 3 **1** of the Service Processor.
2. ____ On the modem's rear panel, **plug** the other cable lead into the 25-pin connector **2** .

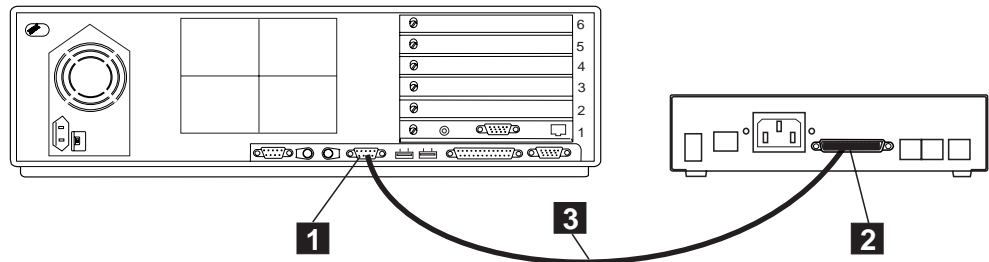


Figure 1-32. Connecting the Service Processor (7858-P02) from COM1 to the 7858

Note: If you are installing a NAS type **7585-001**, refer to Figure 1-1 on page 1-2 and plug cable into port **6** .

End of NAS and modem installation. Continue with the 2220 Nways BroadBand Switch Setup Guide, SY33-2105 (P/N 59G0544)

Installing the NAS and its Modem

Chapter 2. START - Finding a Service Procedure

Select the first entry point that fits your situation.

If You Have	Description	Go to
<i>GENERAL SYMPTOM</i>	Nways Switch administration station symptom	"MAP 0400: Nways Switch Administration Station Symptom" on page 4-1.
<i>MAINTENANCE ACTION</i>	Nways Switch administration station FRU to exchange	Chapter 5, "Nways Switch Administration Station FRU and Display Exchange Procedures" on page 5-1.
	Run diagnostics on the Nways Switch administration station	"How to Run the Nways Switch Administration Station Diagnostics" on page 3-2.
	Test the Nways Switch administration station links	"How to Test the Different Links" on page 3-8
	Problem determination procedures	"Problem Determination Procedures" on page 2-2.
	Test the link between the Nways Switch administration station and the NSC	"How to Test the Link Between the NAS and the Network Support Center" on page 3-6.

Problem Determination Procedures

Service Action	Go to
Investigate a problem on the Nways Switch administration station.	"MAP 0400: Nways Switch Administration Station Symptom" on page 4-1.
Investigate a communication problem between the Nways Switch administration station and a remote console.	"MAP 0410: Communication Problem Between the NAS and a Remote Console" on page 4-8

Chapter 3. Nways Switch Administration Station Diagnostics

How to test the Nways Switch Administration Station and the Different Links

In the following table select the area that you intend to test then go to the appropriate procedure.

What you want to do	Action
Run the diagnostics on the Nways Switch administration station.	"How to Run the Nways Switch Administration Station Diagnostics" on page 3-2.
Test the link between the Nways Switch administration station and the NSC	"How to Test the Link Between the NAS and the Network Support Center" on page 3-6.
Test the Nways Switch administration station links	"How to Test the Different Links" on page 3-8.

How to Run the Nways Switch Administration Station Diagnostics

The following diagnostics are available on the Nways Switch administration station:

- Power-On Self Test (POST)
- Diagnostics diskette

Power-On Self Test (POST)

To start the POST:

1. Power-on the display and the Nways Switch administration station.

The following icon



appears at the upper-right corner of the display.

2. Press **F1** when the icon appears to cause the **Configuration Utility** menu to appear after the POST has completed.
3. A count of the computer memory appears at the upper-left corner of the display.
4. If an error is detected, an error code appears under the computer memory count. Refer to the Industrial Computer Hardware Maintenance Manual SBOF-1122
5. The POST completes successfully when no errors are detected in the Nways Switch administration station.
6. The Nways Switch administration station attempts to load the operating system. If an operating system is not found, a graphic message (icon) is displayed requesting that you insert a diskette into drive A and press the **F1** key to resume operation.

Diagnostics Diskette

Use the **Diagnostics** diskette for testing the basic system hardware.

The diagnostics program is intended to test only the basic standard Nways Switch administration station and supported hardware. Other products, prototype cards, or modified options can give false errors and invalid Nways Switch administration station responses.

On the following table select the procedure according to the model of your Nways Switch administration station.

Nways Switch administration Station Type	Go to Procedure:
7585	"Diagnostics Diskette on NAS Based on 7585-001" on page 3-3
7585-P02	"Diagnostic Diskette on NAS Based on 7585-P02" on page 3-5

Diagnostics Diskette on NAS Based on 7585-001

1. Power-off the Nways Switch administration station.
2. Insert the diagnostic diskette in drive A.
3. Power-on the Nways Switch administration station.
4. Do not press **F1** when the icon appears
5. If any POST errors appear after POST, make a note of the error(s) and press the **Esc** key.
6. An IBM hardware diagnostics logo screen appears, followed by the **Diagnostic Diskette Main Menu**.

```
Diagnostic Diskette Main Menu

1- Test the System
2- Create the Test Diskette
3- Backup Hardware Diagnostic Diskette
4- Display Error Log
5- Access the Editor
6- Display System Information

Press Esc to exit or
select a number and press enter
```

7. Select the **Test the System** option.
8. The following window is displayed:

```
You will need a test diskette for each diskette drive in your
system.

Would you like to create a test diskette?

Please type "Y" for yes or "N" for no
```

9. Answer according to what you intend to test.
10. The following window is displayed:

```
The following list shows the devices detected by the diagnostic tests.

1- Processor Unit
2- System Board
3- Keyboard
4- Pointing Device
5- 64 MB Memory
6- 0256 Kbytes external cache module
7- Super VGA Display
8- System Board parallel port
9- 2 System Board Serial port
10- 1 Diskettes drive
11- 2 hard Disk(s)

Is this list correct?
Please type "Y" for yes or "N" for no
```

11. Check that the displayed list is correct.
 - If the list is correct, type **Y**, then continue with next step.

- If the list is not correct type **N**, then go to *7585 Industrial Computer: Information, Installation, Operation, Hardware Maintenance* to identify the problem. Then if you have to exchange an FRU, go to Chapter 5, “Nways Switch Administration Station FRU and Display Exchange Procedures” on page 5-1.

12. When you have verified that the device list is correct, the **System Checkout** menu is displayed.

```
System Checkout

1- Run tests ONE TIME
2- Run tests MULTIPLE times
3- Start Error Log
4- End Error Log

Press Esc to exit or
select a number and press enter
```

13. Select the **Run tests ONE TIME** option. (You can select the **Run tests MULTIPLE times** option in case of intermittent trouble.)

The **Diagnostic Test Select Menu** is displayed.

```
Diagnostic Test Select Menu

Instructions: - To select (*) or bypass ( ) a test,
              type the test number and press Enter.
              - To run selected (*) tests, press Enter.

(*) 1 Processor Unit
(*) 2 System Board
(*) 3 Keyboard
(*) 4 Pointing Device
(*) 5 X MB Memory
(*) 6 XXXX Kbytes External Cache Module
(*) 7 Super VGA Display
(*) 8 System Board Parallel Port
(*) 9 2 System Board Serial Port(s)
(*) 10 Diskette Drive(s)
(*) 11 X Hard Disk(s)

98 Select (*) all tests.
99 Bypass ( ) all tests.

Selection:
```

This menu allows to select the hardware components to test: If you want to test a specific device:

- Type **99** then press **Enter** to removal the test selection.
- Type the device number in the selection field, then press **Enter** twice to start the test.

If you want test all the Nways Switch administration station:

- Type **98** then press **Enter**, then press **Enter** twice. to start the test.

14. Follow the prompts displayed during the test.

15. When the test is successfully ended the **System Checkout** window is displayed.

Diagnostic Diskette on NAS Based on 7585–P02

1. Power-off the Nways Switch administration station.
2. Insert the diagnostic diskette in drive A.
3. Power-on the Nways Switch administration station.
4. Do not press **F1** when the icon appears
5. If any POST errors appear after POST, make a note of the error(s) and press the **Esc** key.
6. The following window is displayed:

```
QAPlus/PRO
by Diagsoft
for
IBM

Press any key to continue
```

7. Follow the prompts until the following window is displayed:

```
QAPlus/PRO

QAPlus/PRO Advanced Diagnostic

System is being analysed
```

8. Wait until the Main Menu is displayed:

```
Main Menu

Diagnostics
System Info
Reports
Utility
Exit
```

9. Select the **Diagnostic** option.
10. The **Diagnostic Menu** is displayed:

```
Diagnostics

Quick Check
Module Tests
Options
```

11. Select the **Quick Check** option.
12. A window is displayed showing which group is tested. At the end of group testing follows the prompts.
13. If the test is not error free, refer to the *7585 Industrial Computer: Information, Installation, Operation, Hardware Maintenance* to identify the problem. Then if you have to exchange an FRU, go to Chapter 5, "Nways Switch Administration Station FRU and Display Exchange Procedures" on page 5-1.

How to Test the Link Between the NAS and the Network Support Center

Locally on the NAS

1. When the NAS and the modem are initialized, press simultaneously the **Ctrl/Esc** keys
2. Double click on **SLIP Dial-In**.

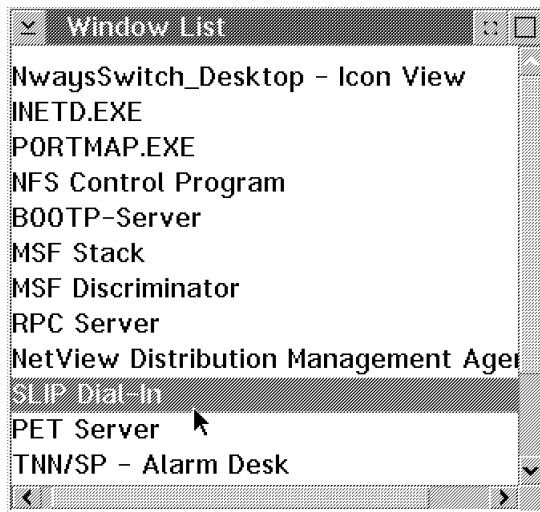


Figure 3-1. Nways Switch Window List

3. Verify that the SLIP driver is running as shown in Figure 3-2. If you do not have this message, an error message is displayed. See Figure 3-3 on page 3-7. As recommended, verify that the modem is properly configured and connected.

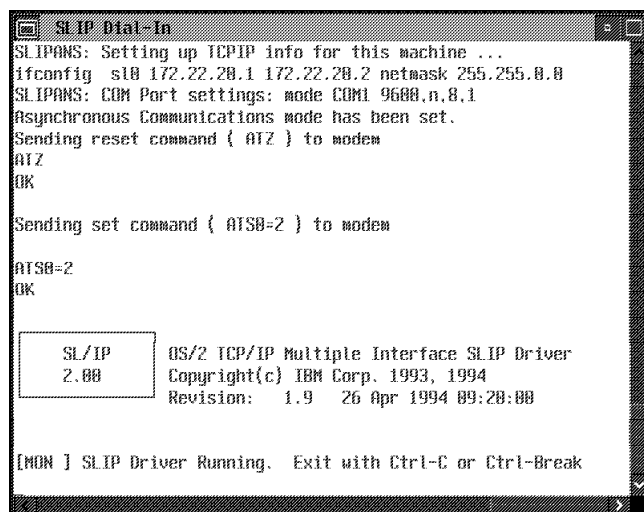
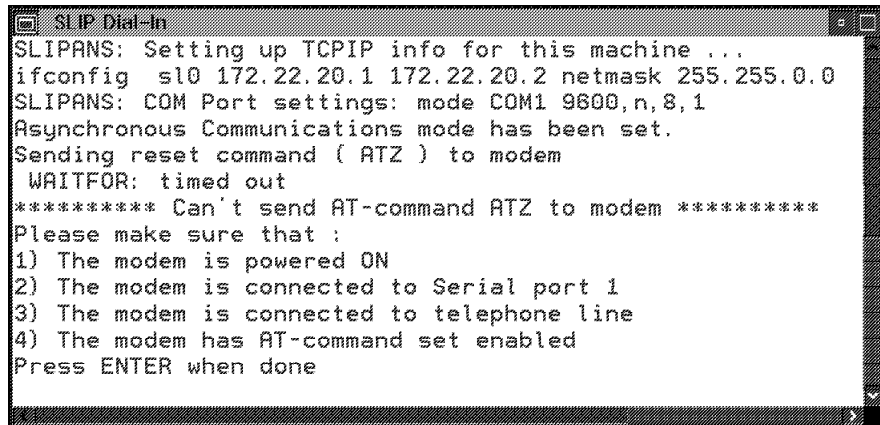


Figure 3-2. SLIP Driver Correct Status



```
SLIP Dial-In
SLIPANS: Setting up TCPIP info for this machine ...
ifconfig sl0 172.22.20.1 172.22.20.2 netmask 255.255.0.0
SLIPANS: COM Port settings: mode COM1 9600,n,8,1
Asynchronous Communications mode has been set.
Sending reset command ( ATZ ) to modem
WAITFOR: timed out
***** Can't send AT-command ATZ to modem *****
Please make sure that :
1) The modem is powered ON
2) The modem is connected to Serial port 1
3) The modem is connected to telephone line
4) The modem has AT-command set enabled
Press ENTER when done
```

Figure 3-3. SLIP Driver Error Status

4. Record the following information, then call the Network Support Center.
 - The NAs SLIP IP address
 - The Network Support Center SLIP IP address (remote SLIP address)
 - The modem phone number
 - The node name
 - The user name
 - The FTP password

Note: These two addresses are displayed in Figure 3-2 on page 3-6 or in Figure 3-3. In this example, the NAS SLIP IP address is 172.22.20.1 and the Network Support Center SLIP address is 172.22.20.2.

From the Network Support Center Console

The following procedure gives an example to the Network Support Center to validate the link to the 2220 installed.

1. Double click on **Slip Start**.
2. Follow the prompts to record the new customer information.
3. Select the option to call the modem.
4. Double click on **Nways Switch resource control**.
5. Enter the host name, user name, and password to access the 2220 installed.
6. Wait for the display of the whole configuration.

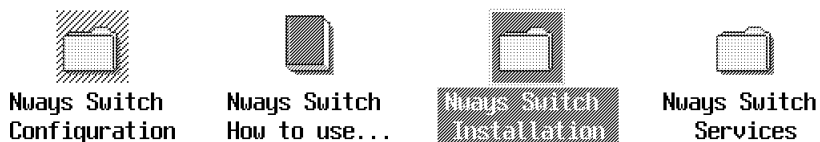
How to Test the Different Links

The purpose of this procedure is to establish and validate the link between the 2220 and the servers:

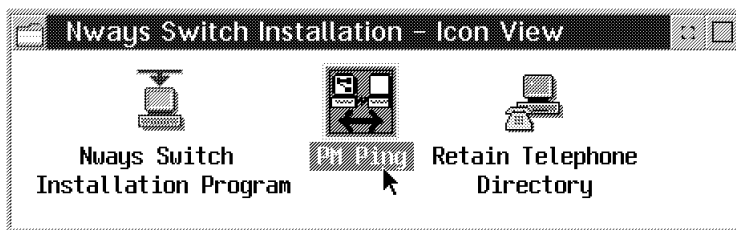
1. Network Management Station
2. Change Control Server

When the Nways Switch administration station is powered ON and booted:

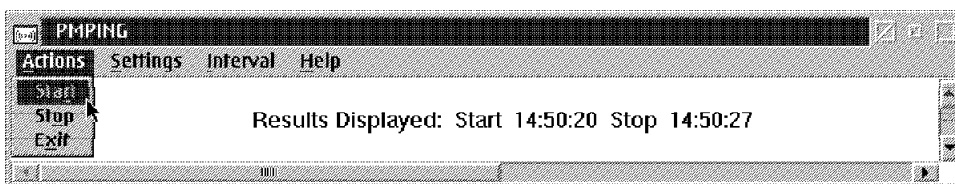
1. Click on the **Nways Switch installation** icon.



2. In the **Nways Switch installation** window, click on the **PM Ping** icon.



3. In the **PMPING** window, click on the **Actions** option on the menu bar, then on the **Start** option.



4. A new **PMPING** window is displayed, showing the links tested and the result of the test.

Note: The command is sent to the servers which have been defined in the configuration file and imported in the configuration data base.

The information displayed gives:

- The TCP/IP address
- The server name
- The response time.

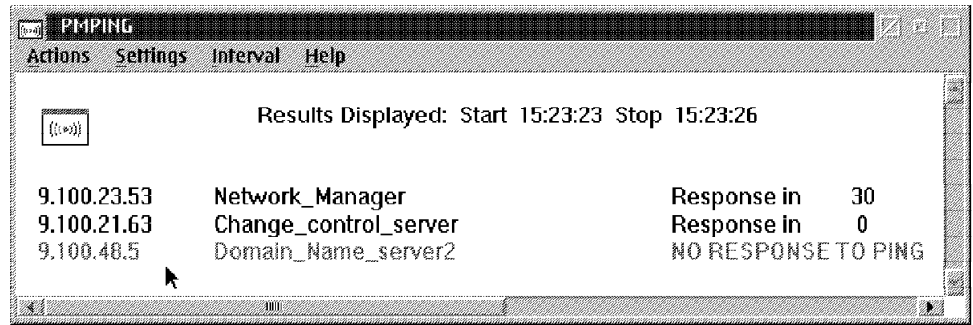


Figure 3-4. Example of PM Ping Results

Chapter 4. Nways Switch Administration Station Problem Determination

MAP 0400: Nways Switch Administration Station Symptom

Important

- Two Models of Nways switch administration station based on 7585 processors are available. Identify them using the Figure 4-1 and Figure 4-2 before going through the following procedures.
- The *7585 Industrial Computer Information: Installation Operation Hardware Maintenance* is the generic name used for the two 7585 Models. If you have several Nways Switch administration station installed on your site be sure to use the proper manual.

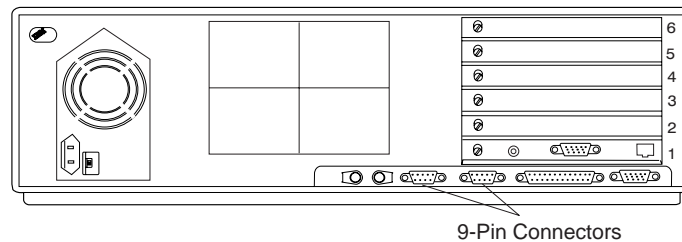


Figure 4-1. Nways Switch Administration Station Based on on 7585-001

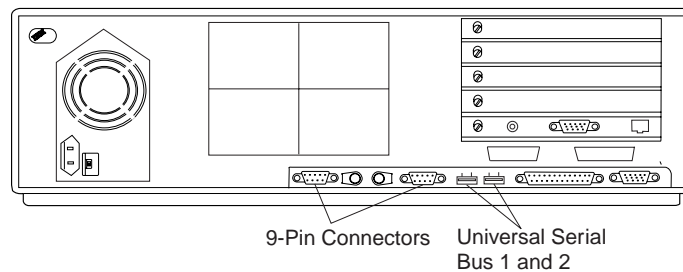


Figure 4-2. Nways Switch Administration Station Based on on 7585-P02

001

- Check that the Nways Switch administration station and its display are powered ON.
 - If not, switch ON the power ON button on the Nways Switch administration station front panel and/or display.
- (Step 001 continues)

001 (continued)

Is the Nways Switch administration station powered ON?

Yes No

002

Go to *7585 Industrial Computer: Information, Installation, Operation, Hardware Maintenance*, to identify the problem. Then if you have to exchange an FRU, go to Chapter 5, “Nways Switch Administration Station FRU and Display Exchange Procedures” on page 5-1.

003

Is there something displayed on the screen?

Yes No

004

Go to *7585 Industrial Computer: Information, Installation, Operation, Hardware Maintenance*, to identify the problem. Then if you have to exchange an FRU, go to Chapter 5, “Nways Switch Administration Station FRU and Display Exchange Procedures” on page 5-1.

005

Continue the procedure according to the symptom listed in the following table.

Screen symptom	Go to:
xxxxxxx (8 digits) Power-On Self-test (POST) error or Configuration or memory error message displayed.	<i>7585 Industrial Computer: Information, Installation, Operation, Hardware Maintenance</i> , to identify the problem, then if you have to exchange an FRU, go to Chapter 5, “Nways Switch Administration Station FRU and Display Exchange Procedures” on page 5-1.
SYSxx-xxxx OS/2* message displayed on screen.	Call support for assistance.
The content of the screen appears normal but the size of the window displayed is smaller than usual.	Power OFF then power ON the display.
Screen appears normal but the track ball and/or the keyboard is locked.	Step 024 on page 4-6.
None of the previous screen symptoms.	Step 006.

006

– The screen content depends on the last operation done.
(Step 006 continues)

006 (continued)

Is the Nways Switch Resource Control window displayed?

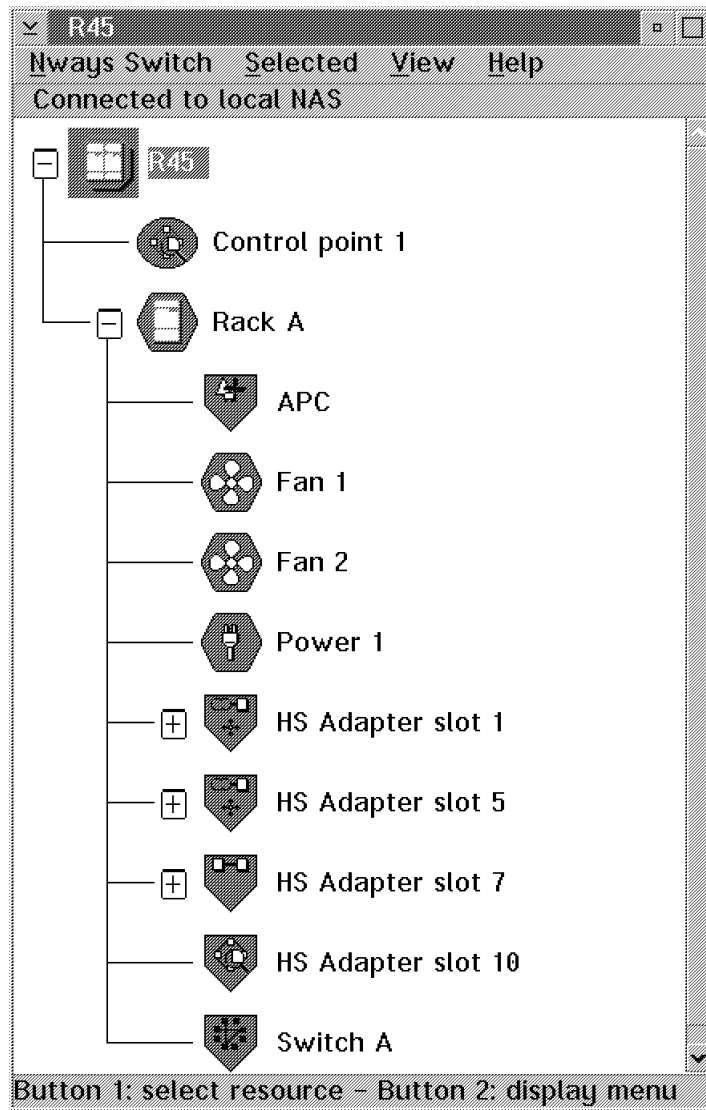


Figure 4-3. Nways Switch Resource Control Window

Yes No

007

- From the window displayed using the icon/option get the **Nways Switch Resource Control** window with all the resource icon displayed (see Figure 4-3).
- When it is done continue with Step 008.

008

(Step 008 continues)

008 (continued)

Are all the resources displayed blue?

Yes No

009

Are all resources icon green?

Yes No

010

You have a problem on specific resource.

- Call the Network Support Center to inform them and follow their instructions.

011

There is no evident problem in the Nways Switch administration station. Call the Network Support Center to inform them and follow their instructions.

012

- You have a connection problem between the Nways Switch administration station and the 2220.
- Check the cables between the Nways Switch administration station and the APC module.

Did you find a problem in the cable connection, or in the cable?

Yes No

013

Go to Step 017 on page 4-5

014

Correct the problem, then wait until all the icon resources turn to green on the screen.

Are all resources icon blue?

Yes No

015

Problem solved. Call the Network Support Center to inform them, follow their instructions, then go to “Ending the Exchange Procedure” on page 5-40.

016

Go to Step 017 on page 4-5.

017

There is a problem with the Nways Switch administration station and there is no evident symptom on the Nways Switch administration station.

- Inform your customer that for your investigation you will have to power OFF the Nways Switch administration station.
- On the Nways Switch administration station front panel turn the power OFF. Wait 5 seconds and turn it ON.
- Wait until the end of the self test and IML.

Is the IML complete with the Nways Switch desktop window displayed?



Nways Switch
Configuration



Nways Switch
How to use...



Nways Switch
Installation



Nways Switch
Services

Yes No

018

Go to *7585 Industrial Computer: Information, Installation, Operation, Hardware Maintenance*, to identify the problem. If you have to exchange an FRU, go to Chapter 5, “Nways Switch Administration Station FRU and Display Exchange Procedures” on page 5-1.

019

- From the window displayed using the icon/option get the **Nways Switch Resource Control** window with all the resource icon displayed (see Figure 4-3 on page 4-3).

Are all resources displayed blue?

Yes No

020

Are all resources icon green?

Yes No

021

You have a problem on specific resource.

- Call the Network Support Center to inform them and follow their instructions.

022

The link problem between the Nways Switch administration station and the 2220 is solved. Call the Network Support Center to inform them and follow their instructions.

023

There is NO link between the Nways Switch administration station and the 2220.

Go to *7585 Industrial Computer: Information, Installation, Operation, Hardware Maintenance*, to identify the problem. Then if you have to exchange an FRU, go to Chapter 5, "Nways Switch Administration Station FRU and Display Exchange Procedures" on page 5-1.

024

- Check that the keyboard cable is properly plugged into the keyboard and into the rear of the Nways Switch administration station.

Did you find the problem?

Yes No

025

Go to Step 027.

026

Problem solved. Call the Network Support Center to inform them, follow their instructions, then go to "Ending the Exchange Procedure" on page 5-40.

027

- Inform your customer that for your investigation you will have to power OFF the Nways Switch administration station
- On the Nways Switch administration station front panel turn the power OFF. Wait 5 seconds and turn it ON.
- Wait until the end of the self test and IML.

Is the IML complete with the Nways Switch desktop window displayed?



Nways Switch Configuration



Nways Switch How to use...



Nways Switch Installation



Nways Switch Services

Yes No

028

Restart problem determination. Go to Step 001 on page 4-1.

029

(Step 029 continues)

029 (continued)

Are the track ball and the keyboard operational?

Yes No

030

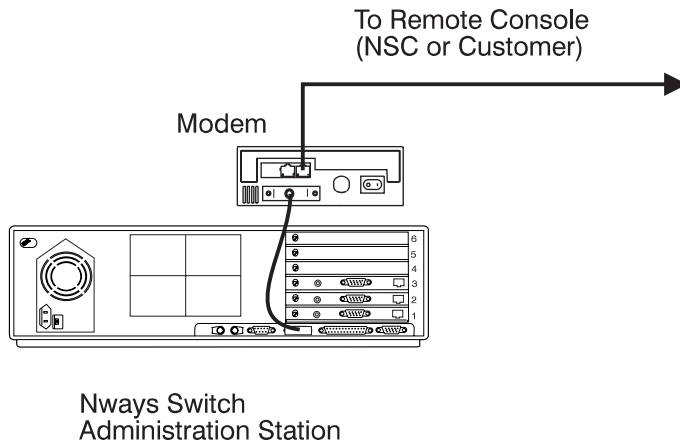
Go to *7585 Industrial Computer: Information, Installation, Operation, Hardware Maintenance*, to identify the problem. If you have to exchange an FRU, go to Chapter 5, "Nways Switch Administration Station FRU and Display Exchange Procedures" on page 5-1.

031

Problem solved. Call the Network Support Center to inform them, follow their instructions, then go to "Ending the Exchange Procedure" on page 5-40.

MAP 0410: Communication Problem Between the NAS and a Remote Console

- You are here because there is a communication problem between the Nways Switch administration station, and a remote console via the public switched network.
- The remote operator **MUST** have verified locally that his NAS and his modem are working properly.



001

- Check that the modem attached to the Nways Switch administration station is powered ON.
- If not, switch ON the power ON button at the rear panel of the modem.
- Check that the power cable is properly plugged in the power outlet

Is the modem powered ON?

Yes No

002

- Suspect a problem in the customer's ac source. Check the customer's ac outlet.

Is there a proper voltage in the ac outlet?

Yes No

003

Ask the customer to have the installation serviced.

004

The modem is defective. Exchange it (refer to "Modem Exchange Procedure" on page 4-18).

005

Check the modem status according to its type.

IBM Modem Type	Status	Action
7855	The modem status is the following: <div style="border: 1px solid black; padding: 5px; width: fit-content; margin: 5px auto;">ASYN8N A 9600 a</div> With: ONH LED ON DTR(108) LED ON RFS(106) LED ON	<ul style="list-style-type: none">• The status is correct. Go to Step 006• The status is not correct. Go to Step 020 on page 4-11
7857	The modem status is the following: <div style="border: 1px solid black; padding: 5px; width: fit-content; margin: 5px auto;">IBM 7857 V25BIS aa█ td_ rd_ dsr█ ec_ 11_</div> With: OH LED OFF DTR(108) LED ON CTS(106) LED ON CD(109) LED OFF	<ul style="list-style-type: none">• The status is correct. Go to Step 006• The status is not correct. Go to Step 024 on page 4-12
Hayes	The modem status is the following: OH LED OFF HS LED ON TR LED ON MR LED ON	<ul style="list-style-type: none">• The status is correct. Go to Step 006• The status is not correct. Go to Step 028 on page 4-12
7858	The modem status is the following: <div style="border: 1px solid black; padding: 5px; width: fit-content; margin: 5px auto;">AT CMD ec█ aa█ td_ rd_ dsr_ ll_</div>	<ul style="list-style-type: none">• The status is correct. Go to Step 006• The status is not correct. Go to "7858 Modem installation" on page 1-28 for checking modem and modem installation.

006

– From a close telephone, call the modem. According to the modem answer select the appropriate action:

Modem Answer	Action
The modem is busy	Go to Step 007 on page 4-10
The modem does not answer	Go to Step 012 on page 4-10
The modem answer	Go to Step 017 on page 4-11

007

- Disconnect the modem's telecommunication cable from the public switched network plug.

Is the modem's telephone number still busy?

Yes No



008

- Reconnect the modem to the public switched network.
- Switch the modem power OFF, then power ON.
- From a close telephone, call the modem.

Is the modem's telephone number still busy?

Yes No

009

The problem is solved. Ask the remote operator to re-start his call from the remote NAS.

010

The modem is defective. Exchange it (refer to "Modem Exchange Procedure" on page 4-18).

011

The probable cause of the problem is the telephone line.

012

- Switch the modem power OFF, then power ON.
- From a close telephone, call the modem.

Does the modem answer?

Yes No



013

- Disconnect the modem's telecommunication cable from the public switched network plug.
(Step 013 continues)

013 (continued)

- Connect a telephone in place of the modem to the public switched network.
- From a close telephone, call the modem.

Does the telephone installed in place of the modem ring?

Yes **No**

014

Suspect a telephone line problem, or wrong phone number.

015

Your modem is probably defective. Refer to the modem documentation to test it.

016

The problem is solved. Ask the remote operator to re-start his call from the remote NAS.

017

- Check that the remote NAS calls the correct telephone number and has the correct TCP/IP address.
- Ask the remote NAS to retry the operation.

Is the connection successful?

Yes **No**

018

Suspect a modem problem.

019

Problem solved.

020

- On the following table select the action according to your modem status.

Modem Status	Action
The message displayed on the modem screen is NOT correct	Refer to the problem determination chapter in the <i>7855 Modem Guide to Operation GA33-0160</i> .
ONH LED is OFF	Go to Step 021 on page 4-12.
DTR(108) and/or RFS(106) is OFF	Go to Step 029 on page 4-13.

021

Switch the modem power OFF, then power ON.

Is the ONH LED always OFF?

Yes No

Yes

No
022

Restart problem determination. Go to Step 005 on page 4-9.

023

The modem is defective. Exchange it (refer to “Modem Exchange Procedure” on page 4-18).

024

On the following table select the action according to your modem status.

Modem Status	Action
The message displayed on the modem screen is NOT correct	Refer to the problem determination chapter in the <i>7857 Modem Guide to Operation GA13-1839</i> .
OH LED is ON	Go to Step 025.
DTR(108) and/or RFS(106) is OFF	Go to Step 029 on page 4-13.

025

Switch the modem power OFF, then power ON.

Is the OH LED always ON?

Yes No

Yes

No
026

Restart problem determination. Go to Step 005 on page 4-9.

027

The modem is defective. Exchange it (refer to “Modem Exchange Procedure” on page 4-18).

028

On the following table select the action according to your modem status.

Modem Status	Action
MR LED OFF	The modem is defective. Exchange it (refer to "Modem Exchange Procedure" on page 4-18).
HS OFF	Suspect a modem configuration.
TR OFF	Go to Step 029 on page 4-13.

029

- Check that the cable between the Nways Switch administration station and the modem is properly connected.

Did you find the problem?

Yes No

030

Go to Step 032.

031

Ask the remote operator to re-start his call from the remote NAS.

032

Inform the network operator that you need the complete Nways Switch administration station to run all diagnostics on the Nways Switch administration station.

- Power OFF, then after few seconds, power ON the Nways Switch administration station.
- The following icon



appears at the upper-right corner of the display. (Pressing **F1** at this time causes the **Configuration Utility** menu to appear after the POST has completed.)

- A count of the computer memory appears at the upper-left corner of the display.
- If an error is detected, an error code appears under the computer memory count.
- Successful completion of POST is attained when no errors are detected in the Nways Switch administration station.
- The Nways Switch administration station attempts to load the operating system. If an operating system is not found, a graphic message (icon) is displayed requesting that you insert a diskette into drive A and press the **F1** key to resume operation.

(Step **032** continues)

032 (continued)

Is the POST test error free?

Yes No

033

- Refer to the *7585 Industrial Computer Information: Installation Operation Hardware* to identify the problem. Then if you have to exchange an FRU, go to Chapter 5, “Nways Switch Administration Station FRU and Display Exchange Procedures” on page 5-1.

034

- If your Nways Switch administration station is based on 7585–P02, go to Step 038 on page 4-15. Otherwise continue with Step 035. For 7585 type identification see Figure 4-1 on page 4-1, and Figure 4-2 on page 4-1.
-

035

Use the **Diagnostic** diskette to test the basic system hardware with the following procedure.

- Power-OFF the Nways Switch administration station.
- Insert the **Diagnostic** diskette in drive A.
- Power-ON the Nways Switch administration station.
- Do not press **F1** when the icon appears
- If any POST errors appear after POST, make a note of the error(s) and press the **Esc** key.
- An IBM hardware diagnostics logo screen appears, followed by the **Diagnostic Diskette Main Menu**.

```
Diagnostic Diskette Main Menu

1- Test the System
2- Create the Test Diskette
3- Backup Hardware Diagnostic Diskette
4- Display Error Log
5- Access the Editor
6- Display System Information

Press Esc to exit or
select a number and press enter
```

- Select the **Test the System** option.
- The **System Checkout** menu is displayed.

System Checkout

- 1- Run tests ONE TIME
- 2- Run tests MULTIPLE times
- 3- Start Error Log
- 4- End Error Log

Press Esc to exit or
select a number and press enter

- Select the **Run tests ONE TIME** option. (You can select the **Run tests MULTIPLE times** option in case of intermittent trouble.)
- The **Diagnostic Test Select Menu** is displayed.

Diagnostic Test Select Menu

Instructions: - To select (*) or bypass () a test,
type the test number and press Enter.
- To run selected (*) tests, press Enter.

- (*) 1 Processor Unit
- (*) 2 System Board
- (*) 3 Keyboard
- (*) 4 Pointing Device
- (*) 5 X MB Memory
- (*) 6 XXXX Kbytes External Cache Module
- (*) 7 Super VGA Display
- (*) 8 System Board Parallel Port
- (*) 9 2 System Board Serial Port(s)
- (*) 10 Diskette Drive(s)
- (*) 11 X Hard Disk(s)

98 Select (*) all tests.
99 Bypass () all tests.

Selection:

- Type **98** in the selection field to run all the tests, then press **Enter** twice to start the tests.
- Follows the prompts displayed during the test.

Is the test error free?

Yes No

036

Refer to the *7585 Industrial Computer: Information, Installation, Operation, Hardware Maintenance* to identify the problem. Then if you have to exchange an FRU, go to Chapter 5, "Nways Switch Administration Station FRU and Display Exchange Procedures" on page 5-1.

037

Call the Network Support Center for assistance.

038

(Step **038** continues)

038 (continued)

Use the **Diagnostic** diskette to test the basic system hardware with the following procedure.

- Power-OFF the Nways Switch administration station.
- Insert the **Diagnostic** diskette in drive A.
- Power-ON the Nways Switch administration station.
- Do not press **F1** when the icon appears
- If any POST errors appear after POST, make a note of the error(s) and press the **Esc** key.
- The following window is displayed:

```
QAPlus/PRO
by Diagsoft
for
IBM

Press any key to continue
```

- Follow the prompts until the following window is displayed:

```
QAPlus/PRO

QAPlus/PRO Advanced Diagnostic

System is being analysed
```

- Wait until the main Menu is displayed.

```
Main Menu

Diagnostics
System Info
Reports
Utility
Exit
```

- Select the **Diagnostic** option.
- The **Diagnostic Menu** menu is displayed.

```
Diagnostics

Quick Check
Module Tests
Options
```

- Select the **Quick Check** option.
 - A window is displayed showing which group is tested. At the end of group testing follows the prompts.
- (Step **038** continues)

038 (continued)

Is the test error free?

Yes No

039

Refer to the *7585 Industrial Computer: Information, Installation, Operation, Hardware Maintenance* to identify the problem. Then if you have to exchange an FRU, go to Chapter 5, “Nways Switch Administration Station FRU and Display Exchange Procedures” on page 5-1.

040

Call the Network Support Center for assistance.

Modem Exchange Procedure

When you have to exchange a modem refer to the “Installing and Connecting the External Modem” on page 1-13 to install and configure the modem as specified then continue with the following steps.

1. Double click on the **Nways Switch Installation** icon.

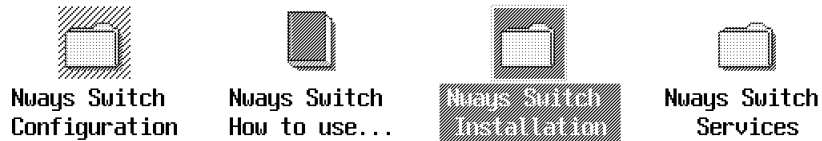


Figure 4-4. Nways Switch Desktop Window

2. Double click on the **Nways Switch Installation Program** icon.

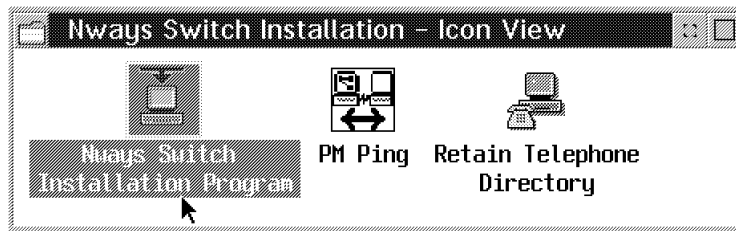


Figure 4-5. Nways Swith Installation Window

3. The **Installation Program Main Menu** window is displayed.

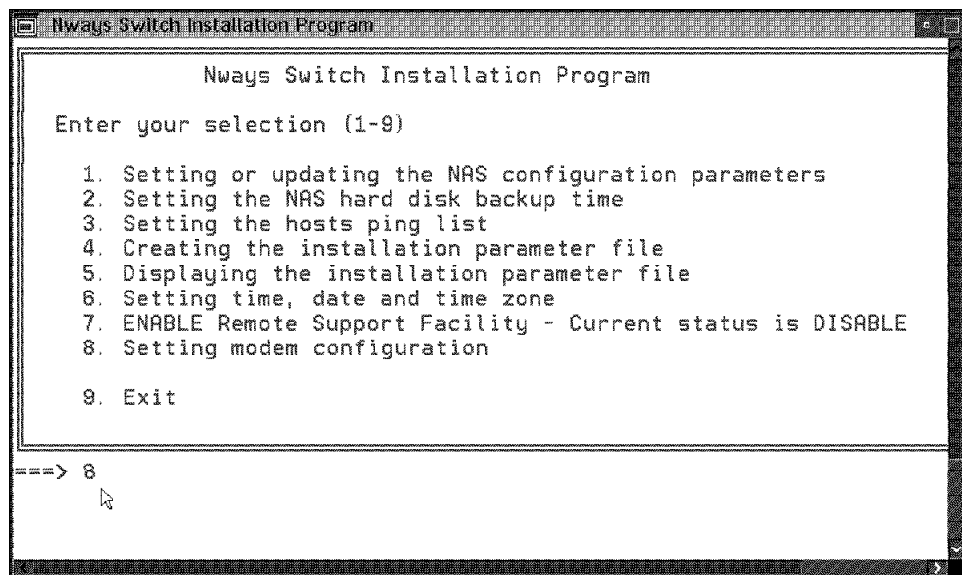


Figure 4-6. Installation Program Main Menu

4. Select option 8 and press Enter.
5. The following window is displayed.

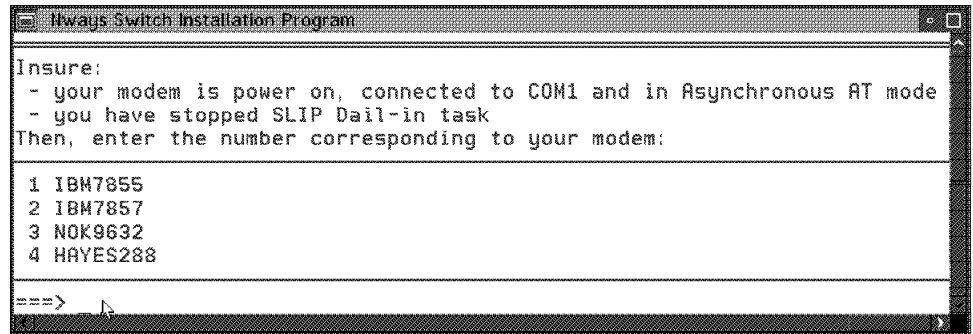


Figure 4-7. Modem Type Selection

6. Enter the number corresponding to your modem type and follow the prompts.
7. When finished, call the Network Support Center to inform them and follow their instructions, then go to "Leaving Procedure" on page 5-40.

Chapter 5. Nways Switch Administration Station FRU and Display Exchange Procedures

Important

Two Models of Nways switch administration station based on 7585 processors are available. Identify them using the Figure 5-1 and Figure 5-2 before going through the following procedures.

- The *7585 Industrial Computer: Information, Installation, Operation, Hardware Maintenance* is the generic name used for the two models of 7585. If you have several Nways Switch administration station installed on your site be sure to use the proper manual.

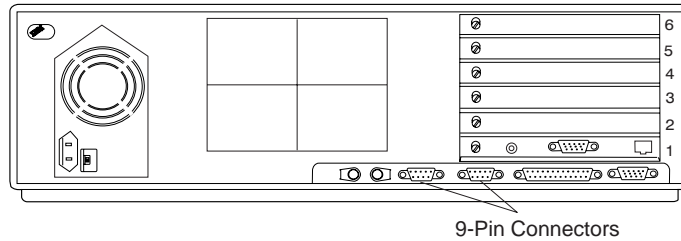


Figure 5-1. Nways Switch Administration Station Based on on 7585-001

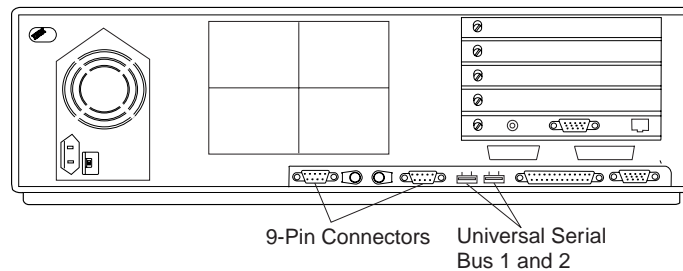


Figure 5-2. Nways Switch Administration Station Based on on 7585-P02

You are here to exchange a FRU on a Nways Switch administration station or exchange the display installed in the rack.

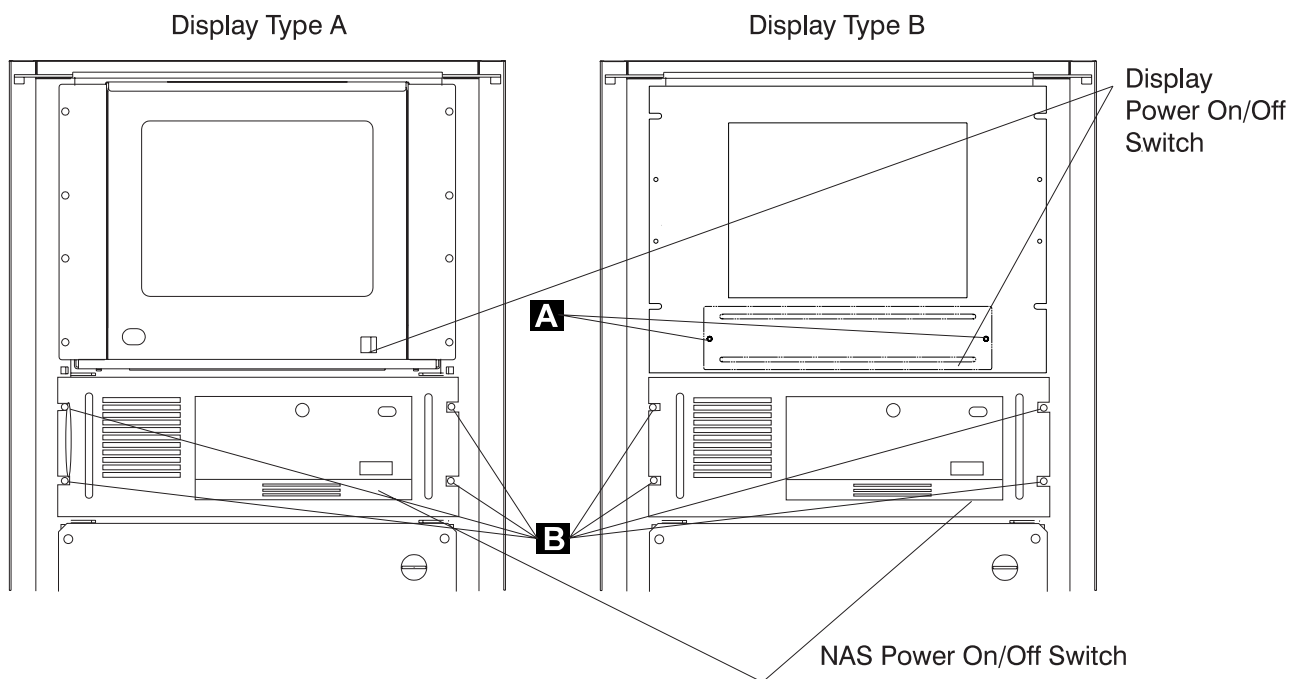
Selection	Action
Nways Switch administration station FRU exchange	Go to "Nways Switch Administration Station FRU Exchange" on page 5-2
Display exchange	Go to "Display Removal" on page 5-31

Nways Switch Administration Station FRU Exchange

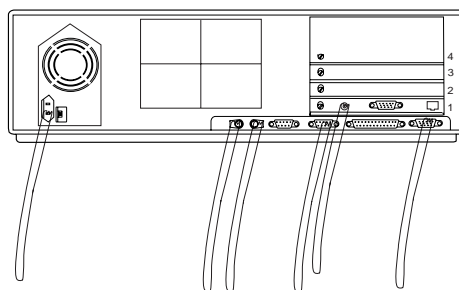
Before any FRU exchange from the Nways Switch administration station you must remove the Nways Switch administration station from the rack following the above procedure.

Nways Switch Administration Station Removal from the Rack

1. Switch OFF the display and the Nways Switch administration station using their respective power ON/OFF switch located on the front panel. For the display type B, first unscrew the screws **A** then locate the power ON/OFF switch under the front panel.
2. At the front of the Nways Switch administration station remove the four screws **B**



3. At the rear of the Nways Switch administration station disconnect all the cables.



Attention

Be careful the weight of the Nways Switch administration station is about 16 kg.

- Slide out the Nways Switch administration station from the rack and install it on a table to continue the FRUs removal.

FRU Exchange

- Go to *7585 Industrial Computer: Information, Installation, Operation, Hardware Maintenance*, chapter "Removals and Replacements". According to the procedure described, change the FRU then return here and continue this procedure with the following step.

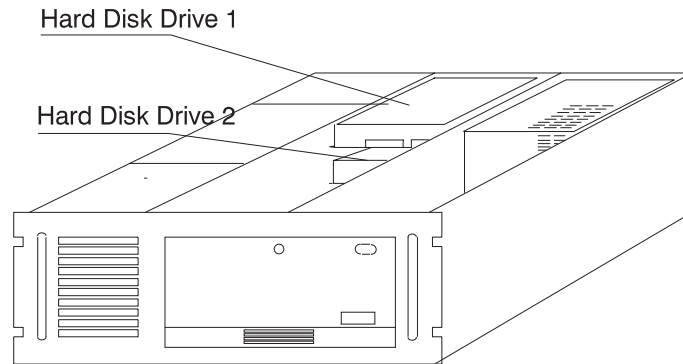


Figure 5-3. Disk Identification

Note for Disk Exchange

Disk 1 must be primary, disk 2 must be secondary. Check jumpering on the disk using the disk documentation.

According to the procedure described, change the FRU then return here and continue this procedure with the following step.

- Re-install all the covers of the Nways Switch administration station.

Re-install the Nways Switch Administration Station into the Rack

- Slide the Nways Switch administration station into the rack.
- Secure the Nways Switch administration station with the screws **B** previously removed.
- At the rear of the Nways Switch administration station re-connect all the cables previously removed.
- Use the following table to find the MAP you need to follow, according to the FRU that you have exchanged.**

Nways Switch Administration Station FRU Exchanged	Action
Board or Battery	<ul style="list-style-type: none"> • For 7585-001 go to “MAP 0400: After Board or Battery Exchange on NAS Based on 7585-001” on page 5-5 • For 7585-P02 go to “MAP 0440: After Board or Battery Exchange on NAS Based on 7585-P02” on page 5-20
Hard Disk Drive	<ul style="list-style-type: none"> • For 7585-001 go to “MAP 0420: After Hard Disk Drive Exchange on NAS Based on 7585-001” on page 5-9 • For 7585-P02 go to “MAP 0450: After Hard Disk Drive Exchange on NAS Based on 7585-P02” on page 5-22
Ethernet Adapter	Go to “MAP 0410: After Ethernet Adapter Exchange on NAS” on page 5-6
Other FRU	<ul style="list-style-type: none"> • For 7585-001 go to “MAP 0430: After Other FRUs Exchange on NAS Based on 7585-001” on page 5-17 • For 7585-P02 go to “MAP 0460: After Other FRUs Exchange on NAS Based on 7585-P02” on page 5-29

MAP 0400: After Board or Battery Exchange on NAS Based on 7585-001

001

- Switch ON the Nways Switch administration station and the display using their respective power ON/OFF switch located on the front panel.
- The following icon



appears at the upper-right corner of the display.

- Press the **F1** key to invoke the **Configuration Utility** after POST completion.
- A count of the computer memory appears at the upper-left corner of the display.
- If an error is detected, a message is displayed requesting you to press the **Enter** key to run the configuration utility.
- When the configuration utility window is displayed, refer to Appendix B, “Configuration Reference for NAS Based on 7585-001” on page B-1 to check the configuration and correct it if necessary.
- At the end of configuration, a message asks you if you want to save your changes.
- Select **YES** and press the **Enter** key to start the system.
- At the end of the boot, the Nways Switch Desktop window should be displayed.



Nways Switch
Configuration



Nways Switch
How to use...



Nways Switch
Installation



Nways Switch
Services

Is the Nways Switch Desktop window displayed?

Yes No

002

Restart problem determination, or call your support for help.

003

Problem solved. Return the Nways Switch administration station to the customer. Call the Network Support Center to inform them, follow their instructions, then go to “Leaving Procedure” on page 5-40.

MAP 0410: After Ethernet Adapter Exchange on NAS

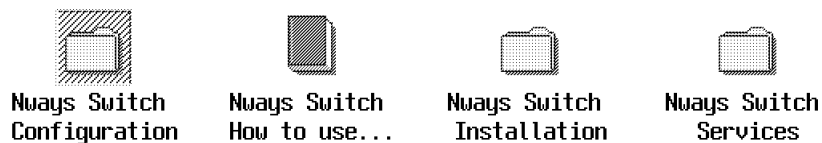
001

- Switch ON the Nways Switch administration station and the display using their respective power ON/OFF switch located on the front panel.
- The following icon



appears at the upper-right corner of the display.

- Press the **F1** key to invoke the **Configuration Utility** after POST completion.
- A count of the computer memory appears at the upper-left corner of the display.
- If an error is detected, a message is displayed requesting you to press the **Enter** key to run the configuration utility.
- When the configuration utility window is displayed, refer to Appendix B, “Configuration Reference for NAS Based on 7585–001” on page B-1 to check the configuration and correct it if necessary.
- At the end of configuration, a message asks you if you want to save your changes.
- Select **YES** and press the **Enter** key to start the system.
- At the end of the boot, the Nways Switch Desktop window should be displayed.



Is the Nways Switch Desktop window displayed?

Yes No

002

Restart problem determination, or call your support for help.

003

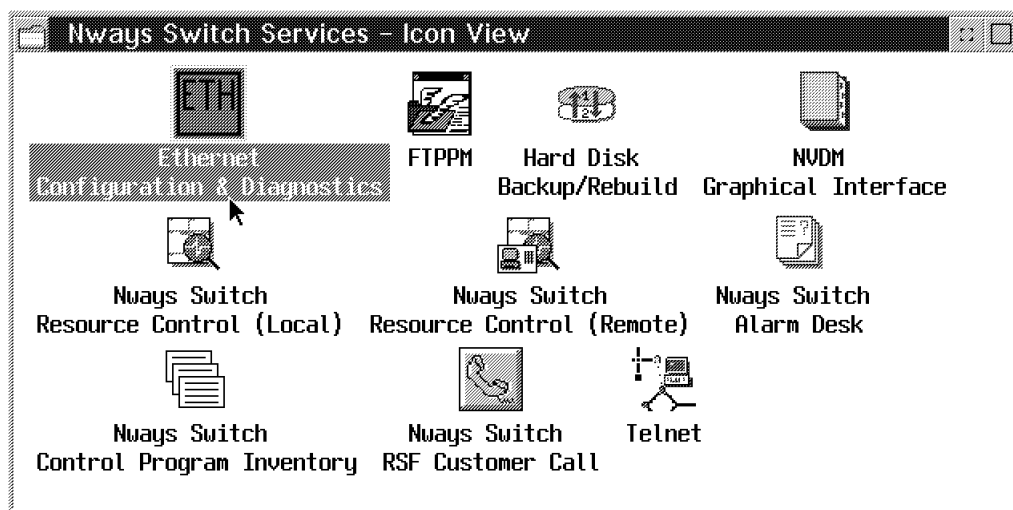
- Double click on the **Nways Switch Services** icon.



(Step 003 continues)

003 (continued)

- In the **Nways Switch Services** window, double click on the **Ethernet Configuration & Diagnostics** icon.



- In the **Ethernet Configuration & Diagnostics** window select the **Display / Change Adapter Configuration** option, using the arrow key, then press the **Enter** key.
- In the **Selected ADAPTER I/O PORT ADDRESS** window select the I/O port using the **Tab** key, press the **Enter** key.
- You obtain the following window. Modify your parameters to match those shown in the following screen.

```
DISPLAY / CHANGE ADAPTER CONFIGURATION

Novell Configuration          None
I/O Bus Address              0X300    ----> 0X300
Interrupt Assignment         IRQ5      ----> IRQ5
Physical media                Thin Ethernet ----> Thin Ethernet (Note)
Adapter Architecture         Shared Memory ----> Shared Memory
Boot Prom                     No boot Prom

Advanced Configuration Options

Temporarily change Configuration
Save Configuration
Return to previous Menu

-----
Make selection using arrows keys and <enter>
Scroll through option using <TAB>
```

Note: Depending of your cabling you may have the following option:

```
| Physical media                TPI(10BaseT) ----> TPI (10baseT) |
```

- Once the parameters have been changed, select the **Advanced Configuration Options**, then press the **Enter** key.
- You obtain the following window. Modify your parameters to match those shown in the following screen.

ADVANCED CONFIGURATION OPTIONS

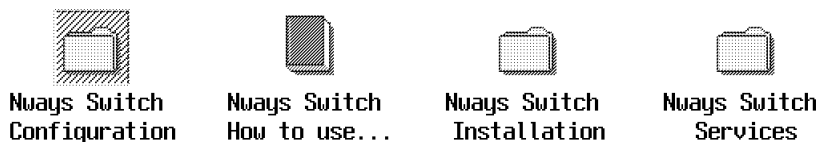
CHRDY generated as fast
TPI Link integrity checking enabled
No BOOT Rom

Return to previous menu

- Once the parameters have been changed, select the **Return to previous menu** option, then press the **Enter** key.
- On the next window, select the **Save Configuration** option, then press the **Enter** key.
- On the next window, select the **Quit Config** option, then press the **Enter** key.
- The following window is displayed

Press 'X' to Confirm Exit,
Press 'C' to Continue

- Press the **X** key to return to the Nways Switch Desktop window.



- Problem solved. Return the Nways Switch administration station to the customer. Call the Network Support Center to inform them, follow their instructions, then go to "Leaving Procedure" on page 5-40.
-

MAP 0420: After Hard Disk Drive Exchange on NAS Based on 7585-001

001

- Run the advanced diagnostic tests using the following procedure.
 - Insert the **Diagnostic** diskette in the diskette drive.
 - Switch ON the Nways Switch administration station and the display using their respective power ON/OFF switch located on the front panel.
 - Do not press **F1** when the icon appears.
 - An IBM hardware diagnostics logo screen appears, followed by the **Diagnostic Diskette Main Menu**.

```
Diagnostic Diskette Main Menu

1- Test the System
2- Create the Test Diskette
3- Backup Hardware Diagnostic Diskette
4- Display Error Log
5- Access the Editor
6- Display System Information

Press Esc to exit or
select a number and press enter
```

- Select the **Test the System** option and press **Enter**.
- The following window is displayed:

```
You will need a test diskette for each diskette drive in your
system.

Would you like to create a test diskette?

Please type "Y" for yes or "N" for no
```

- Type **N**, then press **Enter**.
- The following window is displayed:

```
The following list shows the devices detected by the diagnostic tests.

1- Processor Unit
2- System Board
3- Keyboard
4- Pointing Device
5- 64 MB Memory
6- 0256 Kbytes external cache module
7- Super VGA Display
8- System Board parallel port
9- 2 System Board Serial port
10- 1 Diskettes drive
11- 2 hard Disk(s)

Is this list correct?
Please type "Y" for yes or "N" for no
```

(Step 001 continues)

001 (continued)

- Type **Y**, then **Enter**.
- The **System Checkout** menu is displayed.

```
System Checkout

1- Run tests ONE TIME
2- Run tests MULTIPLE times
3- Start Error Log
4- End Error Log

Press Esc to exit or
select a number and press enter
```

- Select the **Run tests ONE TIME** option, then press **Enter**
- The **Diagnostic Test Select Menu** is displayed.

```
Diagnostic Test Select Menu

Instructions: - To select (*) or bypass ( ) a test,
              type the test number and press Enter.
              - To run selected (*) tests, press Enter.

(*) 1 Processor Unit
(*) 2 System Boardit
(*) 3 Keyboard
(*) 4 Pointing Device
(*) 5 X MB Memory
(*) 6 XXXX Kbytes External Cache Module
(*) 7 Super VGA Display
(*) 8 System Board Parallel Port
(*) 9 2 System Board Serial Port(s)
(*) 10 Diskette Drive(s)
(*) 11 X Hard Disk(s)

98 Select (*) all tests.
99 Bypass ( ) all tests.

Selection:
```

This menu allows to select the hard disk drive test.

- Type **99** then press **Enter** to removal the tests selection.
- Type **11** to select the hard disks, then press **Enter** twice to start the test.
- The **Hard Disk Select Menu** window is displayed.

```
Hard Disk Select Menu

1- Test Hard Disk 0
2- Test Hard Disk 1

Press Esc to exit or
select a number and press enter
```

- Select the test corresponding to the hard disk that you have changed, and press the **Enter** key.
- (Step **001** continues)

001 (continued)

- The **Hard Disk Drive Test Select Menu** is displayed.

```
Hard Disk Test Selection Menu

1- Self-Diagnostics
2- Seek Test
3- Write, Read, Compare (on test cylinder)
4- Error Detection and Correction
5- Run Tests 1 through 4
6- Read Verify
7- Format Hard Disk

Selection:
```

- Select the **Run Tests 1 through 4** option and press the **Enter** key.

When the hard disk has been successfully tested, the **Hard Disk Drive Test Select Menu** window is again displayed.

Is the diagnostic error free?

Yes No

002

Go to *7585 Industrial Computer: Information, Installation, Operation, Hardware Maintenance*.

003

You must restore the Nways Switch administration station disk after its replacement. Use the following table to select the procedure according to the hard disk that you have changed.

Hard Disk Exchanged	Go to
You have changed the first disk	Step 004
You have changed the second disk	Step 010 on page 5-15

004

- You have changed the first hard disk, continue using the following procedure.
 - Remove the **Diagnostic** diskette.
 - Depending of the level of the code you may have one or two **Restore** diskettes. Use the following table to select the procedure according to the number of restore diskettes available.

Restore Diskettes Available	Go to
Only One Restore Diskette	Step 005 on page 5-12
Two Restore diskettes: Restore 0 and Restore 1 Diskette	Step 006 on page 5-12

005

- You have only **one** restore diskette.
 - Insert the **Restore** diskette in the diskette drive A.
 - Press **Esc** until you obtain the following screen.

```
Your system will restart when you press Enter.  
To restart from the hard disk, remove the diskette from drive A.  
  
Press Enter to continue
```

- Do **NOT** remove the **Restore** diskette, then press **Enter**. Continue with Step 007.
-

006

- You have **two** restore diskettes.
 - Insert the **Restore 0** diskette in the diskette drive A.
 - Press **Esc/Alt/Sup** key. You obtain the following screen.

```
                IBM  
IBM Nways Switch Control Program  
    NAS Disk Restore  
  
(c) Copyright IBM Corp. 1987, 1997. All rights reserved  
  
Remove the diskette from drive A.  
Insert the NAS Restore Diskette 1 into the Drive A  
Then, Press Enter
```

- Insert the **Restore 1** diskette, then press **Enter**. Continue with Step 007.
-

007

- You have changed the first hard disk, continue using the following procedure.
 - The boot of diskette takes several minutes. Successively the IBM logo, the WARP logo and the following messages are displayed on screen:

```
Do you really want to restore the primary disk on a xxxxx MB drive (Y/N)?
```

Note: xxxxx specify the disk size.

- Type **Y** then press the **Enter** key

```
Do you want to stop the restore operation (Y/N)?
```

- Type **N** then press the **Enter** key.

```
This is your last chance...
If you reply "Y" the primary disk will be restored.
Are you sure you want to continue restore (Y/N)?
```

- Type **Y** then press the **Enter** key.
- Disk partitioning is started and the following messages are displayed:

```
Creating --> Partition at location xxxx size yyy
Creating --> Partition at location xxxx size yyy
Creating --> Partition at location xxxx size yyy
-----
```

- At the end of the operation the following message is displayed:

```
Restart system to maintain configuration integrity.
The new MBR has successfully been written.

First Disk preparation (FDISK) complete.
Remove the diskette from the drive.
Restore will continue from the second disk.

Press any key to continue.
```

- Remove the **Restore** diskette and press any key.
- One message appears

```
Booting the maintenance partition
```

- The IBM logo appears followed by WARP logo. The desktop of the maintenance partition is orange. The following messages is displayed on the screen:

```
Do you really want to restore the primary disk (Y/N)?
```

- Type **Y** then press the **Enter** key.

```
Do you want to stop the restore operation (Y/N)?
```

- Type **N** then press the **Enter** key.

```
This is your last chance.
If you reply "Y", the primary disk will be restored.
Are you sure you want to continue restore (Y/N)?
```

- Type **Y** then press the **Enter** key.
- Formatting the partitions is started.

Formatting the partitions on Disk1
The new type of the system is...

- Several messages appear.

Warning: All data on hard disk C will be lost
Proceed with format (Y/N)

- The procedure continue automatically
- Several messages addressing other partitions (F, G,...) are displayed on the screen, according to the running operation.

Partitions are formatted on the primary disk.
Files are decompressed and restored on the primary disk.
An automatic boot is done on the primary disk and
the data base are restored.

(this operation takes about thirty to forty minutes, The reboot of the primary disk appears followed by messages and files names)

- At the beginning of this operation the following message is displayed on the screen:

Database restore started at hh.mm.ss. Date
The command completed successfully

- At the end of this operation, for each data base, the following message is displayed on the screen:

Restore of database xxxx successful at hh.mm.ss. Date.

- When the data base has been restored, the following message is displayed:

Disk 1 restore complete

- Click on OK.

Do you obtain the "Disk 1 restore complete" message?

Yes No

008

Call the Network Support Center for assistance.

009

(Step 009 continues)

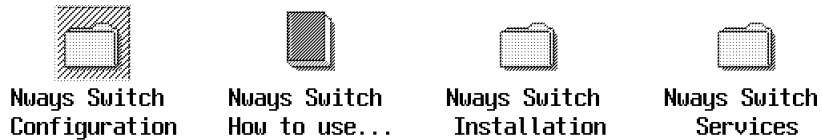
009 (continued)

The primary hard disk replacement and restore has been done successfully. IML is restarted automatically. Go to "Leaving Procedure" on page 5-40.

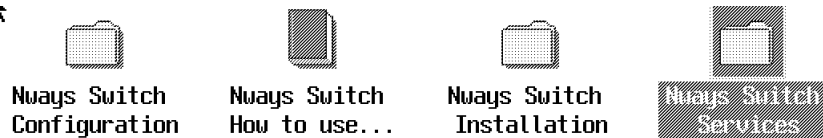
010

– You have changed the second hard disk, continue using the following procedure.

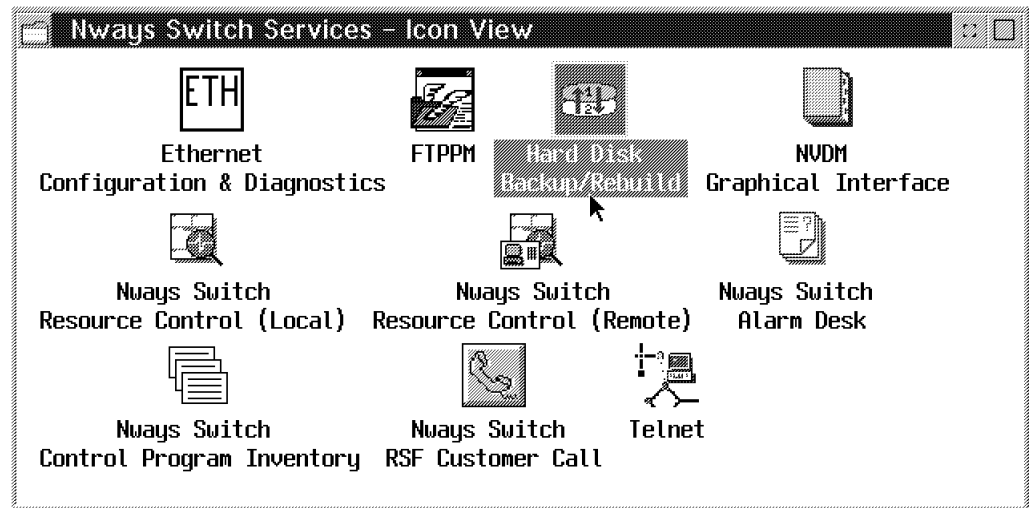
- Remove the **Diagnostic** diskette.
- Simultaneously press the **Ctrl/Alt/Del** keys on the keyboard.
- When the Nways Switch administration station is initialized the Nways Switch Desktop window is displayed



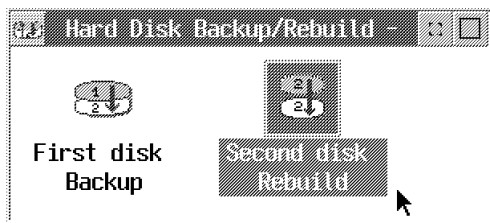
- Double click on the **Nways Switch Services** icon.



- Double click on the **Hard Disk Backup/Rebuild** icon.



- Double click on the **Second Disk Rebuild** icon.



- The following messages are displayed on screen:

Do you really want to restore the backup disk on a xxxxx MB drive (Y/N)?

Note: xxxxx specify the disk size.

- Type **Y** then press the **Enter** key

Do you want to stop the restore operation (Y/N)?

- Type **N** then press the **Enter** key.

This is your last chance...
If you reply "Y" the backup disk will be restored.
Are you sure you want to continue restore (Y/N)?

- Type **Y** then press the **Enter** key. The restore operation is started automatically. During the restore the NAS reboots. At the end of the restore operation the following message is displayed on the screen:

Restore Complete Normal operation resume.

Do you obtain the "Restore complete" message?

Yes No

011

Call the Network Support Center for assistance.

012

The secondary hard disk replacement and restore has been done successfully. Go to "Leaving Procedure" on page 5-40.

MAP 0430: After Other FRUs Exchange on NAS Based on 7585-001

001

- Run the advanced diagnostic tests using the following procedure:
 - Insert the **Diagnostic** diskette in the diskette drive.
 - Switch ON the Nways Switch administration station and the display using their respective power ON/OFF switch located on the front panel.
 - Do not press **F1** when the icon appears.
 - An IBM hardware diagnostics logo screen appears, followed by the **Diagnostic Diskette Main Menu**

```
Diagnostic Diskette Main Menu

1- Test the System
2- Create the Test Diskette
3- Backup Hardware Diagnostic Diskette
4- Display Error Log
5- Access the Editor
6- Display System Information

Press Esc to exit or
select a number and press enter
```

- Select the **Test the System** option and press **Enter**.
- The following window is displayed:

```
You will need a test diskette for each diskette drive in your
system.

Would you like to create a test diskette?

Please type "Y" for yes or "N" for no
```

- Type **Y** or **N** according to the device that you want to test, then press **Enter**.
- The following window is displayed:

```
The following list shows the devices detected by the diagnostic tests.

1- Processor Unit
2- System Board
3- Keyboard
4- Pointing Device
5- 64 MB Memory
6- 0256 Kbytes external cache module
7- Super VGA Display
8- System Board parallel port
9- 2 System Board Serial port
10- 1 Diskettes drive
11- 2 hard Disk(s)

Is this list correct?
Please type "Y" for yes or "N" for no
```

(Step 001 continues)

001 (continued)

Is this list correct?

Yes No

002

Type **N**, then **Enter**.

Go to *7585 Industrial Computer: Information, Installation, Operation, Hardware Maintenance*.

003

– Select the diagnostic using the following procedure.

- Type **Y**, then **Enter**.
- The **System Checkout** menu is displayed.

```
System Checkout

1- Run tests ONE TIME
2- Run tests MULTIPLE times
3- Start Error Log
4- End Error Log

Press Esc to exit or
select a number and press enter
```

- Select the **Run tests ONE TIME** option, then press **Enter**.

The **Diagnostic Test Select Menu** is displayed.

```
Diagnostic Test Select Menu

Instructions: - To select (*) or bypass ( ) a test,
              type the test number and press Enter.
              - To run selected (*) tests, press Enter.

(*) 1 Processor Unit
(*) 2 System Boardit
(*) 3 Keyboard
(*) 4 Pointing Device
(*) 5 X MB Memory
(*) 6 XXXX Kbytes External Cache Module
(*) 7 Super VGA Display
(*) 8 System Board Parallel Port
(*) 9 2 System Board Serial Port(s)
(*) 10 Diskette Drive(s)
(*) 11 X Hard Disk(s)

98 Select (*) all tests.
99 Bypass ( ) all tests.

Selection:
```

This menu allows to select the device to test:

1. Type **99** then press **Enter** to removal the tests selection.
2. Type the device number in the selection field, then press **Enter** twice to start the test.

(Step **003** continues)

003 (continued)

3. Follow the prompts displayed during the test.

- When the device has been successfully tested, the **Diagnostic Select Test Menu** window is again displayed.

Is the diagnostic error free?

Yes No

004

Go to *7585 Industrial Computer: Information, Installation, Operation, Hardware Maintenance*.

005

– Continue with the following procedure.

- Press **Esc** until you obtain the following screen.

Your system will restart when you press Enter.
To restart from the hard disk, remove the diskette from drive A.
Press Enter to continue

- Remove the **Diagnostic** diskette, then press **Enter**.
- The system is booted. At the end of the boot, the Nways Switch Desktop window should be displayed.



Nways Switch
Configuration



Nways Switch
How to use...



Nways Switch
Installation



Nways Switch
Services

Is the Nways Switch Desktop window displayed?

Yes No

006

Restart problem determination, or call your support for help.

007

Problem solved. Return the Nways Switch administration station to the customer. Call the Network Support Center to inform them, follow their instructions, then go to "Leaving Procedure" on page 5-40.

MAP 0440: After Board or Battery Exchange on NAS Based on 7585–P02

001

- After battery or board exchange, use the following procedure.
 - Power ON the service processor.
 - The following error screen is displayed.

```
Post Startup Error(s)

The following error(s) were detected when the system was
started:

161 Bad CMOS Battery                               :hp2.(note):ehp2.

Select one of the following:
Continue
Exit Setup
```

Note: The errors displayed can be different from the errors shown in this screen.

- Select the **continue** option. Another screen is displayed.

```
Error

The configuration settings are invalid.
Select one of the following:

Automatically reconfigure system and continue
Continue with the corrupted value
Exit Setup
```

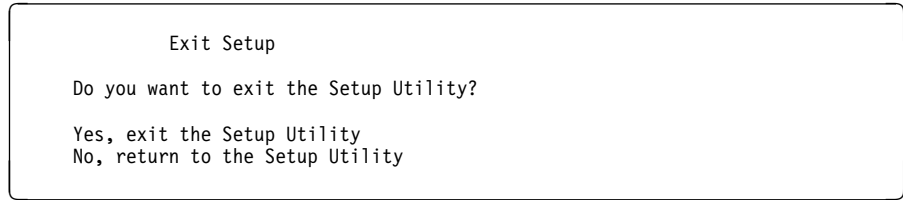
- Select the **Automatically reconfigure system and continue** option. Another screen is displayed.

```
Configuration Error

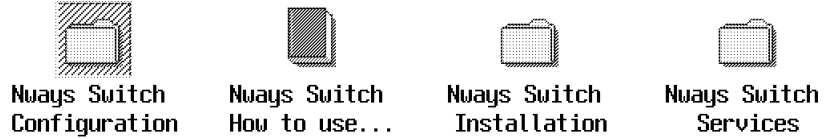
Configuration errors were detected
Select one of the following:

Continue
Exit Setup
```

- Select the **continue** option. The **Configuration/Setup Utility** menu is displayed. Refer to the xxxxx to check and change your configuration according to the configuration reference.
- When it is done select the **Save settings** option and follow the prompts.
- Select **Exit Setup**. You have the following screen.

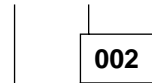


- Select **Yes** that reboot the Nways Switch administration station.
- At the end of the boot, the Nways Switch Desktop window should be displayed.



Is the Nways Switch Desktop window displayed?

Yes No



Restart problem determination, or call your support for help.



Problem solved. Return the Nways Switch administration station to the customer. Call the Network Support Center to inform them, follow their instructions, then go to "Leaving Procedure" on page 5-40.

MAP 0450: After Hard Disk Drive Exchange on NAS Based on 7585-P02

001

- Use the Diagnostic diskette to test the basic system hardware with the following procedure.
 - Power-off the Nways Switch administration station.
 - Insert the **Diagnostic** Diskette in drive A.
 - Power ON the Nways Switch administration station.
 - Do not press **F1** when the icon appears.
 - If any POST errors appear after POST, make a note of the error(s) and press the **Esc** key.
 - The following window is displayed.

```
QAPlus/PRO
  by Diagsoft
   for
   IBM

Press any key to continue
```

- Follow the prompts until the following window is displayed.

```
QAPlus/PRO

QAPlus/PRO Advanced Diagnostic

System is being analysed
```

- Wait until the Main Menu is displayed.

```
Main Menu

Diagnostics
System Info
Reports
Utility
Exit
```

- Select the **Diagnostics** option.
- The **Diagnostic Menu** is displayed.

```
Diagnostics

Quick Check
Module Tests
Options
```

- Select the **Module Tests** option.
- (Step 001 continues)

001 (continued)

- On the **Module Tests Menu**, select the **Hard Disks** option. The following screen is displayed.

```
Hard Disk Test Group                               LUN 1 of 2 Physical Cyl: 2484  Heads:
16 sec : 63
Logical Cyl: 2484  Heads: 16 sec : 63
Bytes/Sector: 512 1st Phys Sect : 1
HD Type      : IDE  HD Speed (rpm): xxxx
HD Base     : 1F0h  HD Unit      : 0      (note)
Interleave  : 01   HD Size (MB) : 1222
HD Id       : WDC

Controller Check
Diagnostic Write/Read
Funnel Seek
Sequential Seek/Verify
Random Seek/Verify
Sequential Seek
Random Seek
```

Note: This line shows the hard disk unit on which the diagnostics will be ran.

- Using the + or — key select the HD unit (0 or 1) on which you intend to run diagnostics, then press the **Enter** key.
- The diagnostics are started. When they are finished the following screen is displayed.

```
Group Completed
Press any key to continue
```

- Press the **Esc** key until the Main Menu is displayed.

```
Main Menu
Diagnostics
System Info
Reports
Utility
Exit
```

- Select the **Exit** option.

Is the diagnostic error free?

Yes No

002

Go to *7585 Industrial Computer: Information, Installation, Operation, Hardware Maintenance*.

003

You must restore the Nways Switch administration station disk after its replacement. Use the following table to select the procedure according to the hard disk that you have changed.

Hard Disk Exchanged	Go to
You have changed the first disk	Step 004 on page 5-24
You have changed the second disk	Step 007 on page 5-26

004

– You have changed the first hard disk, continue using the following procedure.

- Remove the **Diagnostic** diskette.
- Insert the **Restore 0** diskette in the diskette drive A.
- Press **Esc/Alt/Sup** key. You obtain the following screen.

```

                IBM
IBM Nways Switch Control Program
                NAS Disk Restore

(c) Copyright IBM Corp. 1987, 1997. All rights reserved

Remove the diskette from drive A.
Insert the NAS Restore Diskette 1 into the Drive A
Then, Press Enter
    
```

- Insert the **Restore 1** diskette, then press **Enter**.
- The boot of diskette takes several minutes. Successively the IBM logo, the WARP logo and the following messages are displayed on screen:

```

Do you really want to restore the primary disk on a xxxxx MB drive (Y/N)?
    
```

Note: xxxxx specify the disk size.

- Type **Y** then press the **Enter** key

```

Do you want to stop the restore operation (Y/N)?
    
```

- Type **N** then press the **Enter** key.

```

This is your last chance.
If you reply "Y", the primary disk will be restored.
,Are you sure you want to continue restore (Y/N)?
    
```

- Type **Y** then press the **Enter** key.
(Step **004** continues)

004 (continued)

- Disk partitioning is started and the following messages are displayed:

```
Creating --> Partition at location xxxx size yyy  
Creating --> Partition at location xxxx size yyy  
Creating --> Partition at location xxxx size yyy  
-----
```

- At the end of the operation the following message is displayed:

```
Restart system to maintain configuration integrity.  
The new MBR has successfully been written.  
  
First Disk preparation (FDISK) complete.  
Remove the diskette from the drive.  
Restore will continue from the second disk.  
  
Press any key to continue.
```

- Remove the **Restore** diskette and press any key.
- One message appears

```
Booting the maintenance partition
```

- The IBM logo appears followed by WARP logo. The desktop of the maintenance partition is orange. The following message is displayed on the screen:

```
Do you really want to restore the primary disk (Y/N)?
```

- Type **Y** then press the **Enter** key.

```
Do you want to stop the restore operation (Y/N)?
```

- Type **N** then press the **Enter** key.

```
This is your last chance.  
If you reply "Y", the primary disk will be restored.  
Are you sure you want to continue restore (Y/N)?
```

- Type **Y** then press the **Enter** key.
- Formatting the partitions is started.

```
Formatting the partitions on Disk 1  
The new type file system is...
```

- Several messages appear.

```
Warning: All data on hard disk C will be lost  
Proceed with format (Y/N)
```

- The procedure continue automatically
- Several messages addressing other partitions (F, G,...) are displayed on the screen, according to the running operation.

```
Partitions are formatted on the primary disk.  
Files are decompressed and restored on the primary disk.  
An automatic boot is done on the primary disk and  
the data base are restored.
```

Note: This operation takes about twenty minutes. The reboot is followed by messages and files names.

- At the beginning of this operation the following message is displayed on the screen:

```
Database restore started at hh.mm.ss. Date  
The command completed successfully
```

- At the end of this operation, for each data base, the following message is displayed on the screen:

```
Restore of database xxxx successful at hh.mm.ss. Date.
```

- When the data base has been restored, the following message is displayed:

```
Disk 1 restore complete
```

- Click on OK.

Do you obtain the "Disk 1 restore complete" message?

Yes No

005

Call the Network Support Center for assistance.

006

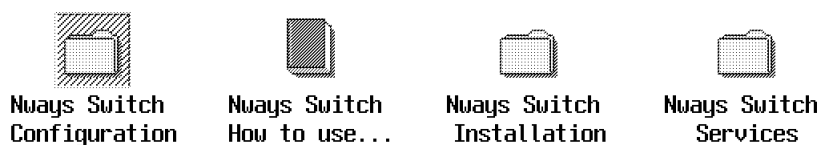
The primary hard disk replacement and restore has been done successfully. IML is restarted automatically. Go to "Leaving Procedure" on page 5-40.

007

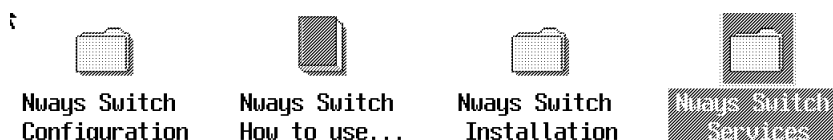
– You have changed the second hard disk, continue using the following procedure.
(Step 007 continues)

007 (continued)

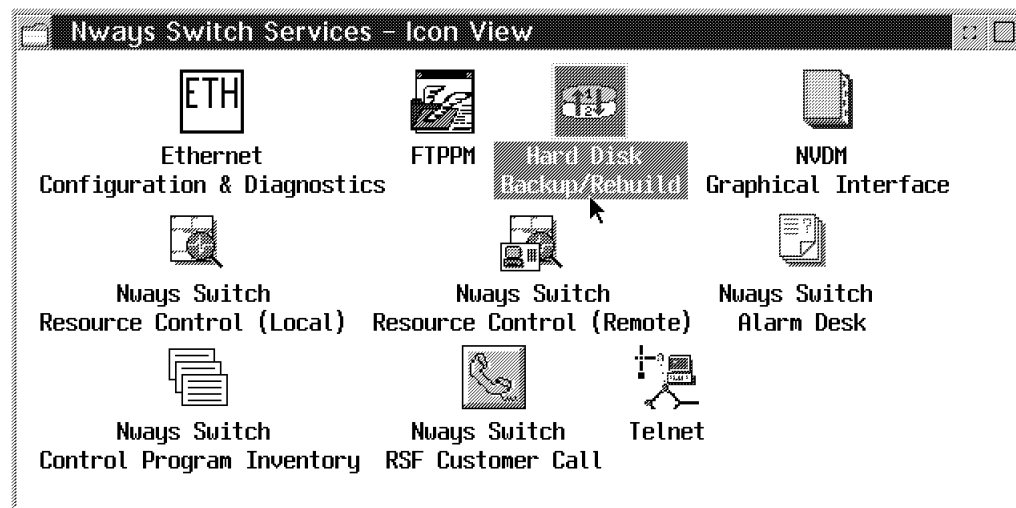
- Remove the **Diagnostic** diskette.
- Simultaneously press the **Ctrl/Alt/Del** keys on the keyboard.
- When the Nways Switch administration station is initialized the Nways Switch Desktop window is displayed



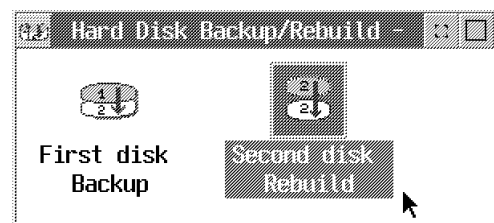
- Double click on the **Nways Switch Services** icon.



- Double click on the **Hard Disk Backup/Rebuild** icon.



- Double click on the **Second Disk Rebuild** icon.



(Step 007 continues)

007 (continued)

- The restore operation is started automatically and following messages are displayed on screen:

Do you really want to restore the backup disk on a xxxxx MB drive (Y/N)?

Note: xxxxx specify the disk size.

- Type **Y** then press the **Enter** key

Do you want to stop the restore operation (Y/N)?

- Type **N** then press the **Enter** key.

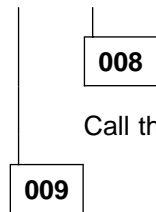
This is your last chance.
If you reply "Y", the backup disk will be restored.
Are you sure you want to continue restore (Y/N)?

- Type **Y** then press the **Enter** key.
- The restore operation is started automatically. During the restore the NAS reboots. At the end of the restore operation the following message is displayed on the screen:

Disk 2 Restore Complete

Do you obtain the "Restore complete" message?

Yes **No**



008

Call the Network Support Center for assistance.

009

The secondary hard disk replacement and restore has been done successfully. Go to "Leaving Procedure" on page 5-40.

MAP 0460: After Other FRUs Exchange on NAS Based on 7585-P02

001

- Use the Diagnostic diskette to test the basic system hardware with the following procedure.
 - Power-off the Nways Switch administration station.
 - Insert the **Diagnostic** Diskette in drive A.
 - Power ON the Nways Switch administration station.
 - Do not press **F1** when the icon appears.
 - If any POST errors appear after POST, make a note of the error(s) and press the **Esc** key.
 - The following window is displayed.

```
QAPlus/PRO
  by Diagsoft
    for
      IBM

Press any key to continue
```

- Follow the prompts until the following window is displayed.

```
QAPlus/PRO

QAPlus/PRO Advanced Diagnostic

System is being analysed
```

- Wait until the Main Menu is displayed.

```
Main Menu

Diagnostics
System Info
Reports
Utility
Exit
```

- Select the **Diagnostics** option.
- The **Diagnostic Menu** is displayed.

```
Diagnostics

Quick Check
Module Tests
Options
```

- Select the **Module Tests** option.
 - A Window is displayed showing all groups.
- (Step **001** continues)

001 (continued)

- Select the group of tests that you intend to run accordingly with the FRU that you have exchanged and press the **Enter** key.
- At the end of group testing follows the prompts.

Is the diagnostic error free?

Yes No

002

- Go to *7585 Industrial Computer: Information, Installation, Operation, Hardware Maintenance*. Then if you have to exchange an FRU, go to Chapter 5, “Nways Switch Administration Station FRU and Display Exchange Procedures” on page 5-1

003

- Use the following procedure to leave the diagnostics.
 - Press **Esc** until you obtain the following screen.

Your system will restart when you press Enter.
To restart from the hard disk, remove the diskette from drive A.
Press Enter to continue

- Remove the **Diagnostic** diskette, then press **Enter**.
- At the end of the boot, the Nways Switch Desktop window should be displayed.



Nways Switch Configuration



Nways Switch How to use...



Nways Switch Installation



Nways Switch Services

Is the Nways Switch Desktop window displayed?

Yes No

004

- Restart problem determination, or call your support for help.

005

Problem solved. Return the Nways Switch administration station to the customer. Call the Network Support Center to inform them, follow their instructions, then go to “Leaving Procedure” on page 5-40.

Display Removal

1. identify the type of display installed in your rack, see Figure 5-4.

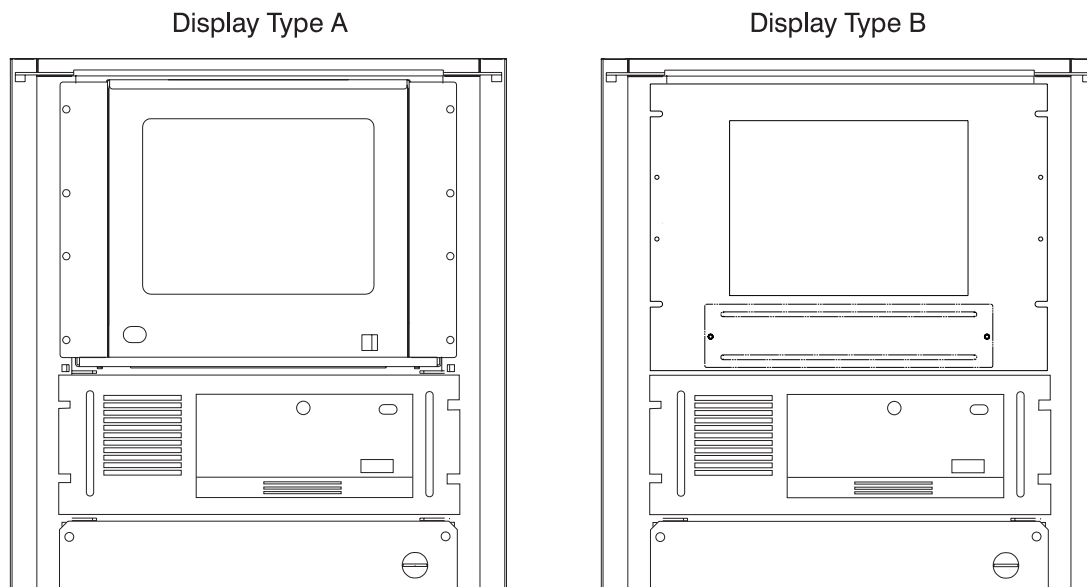


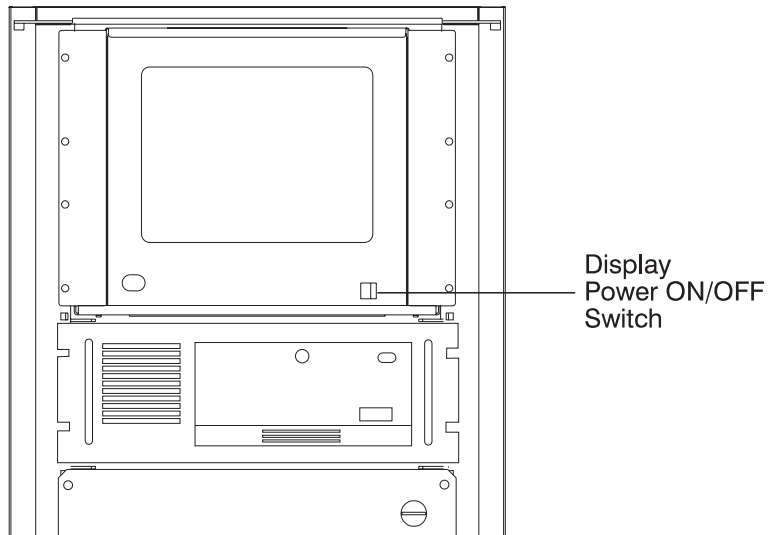
Figure 5-4. Display Type Identification

2. According to your display type:

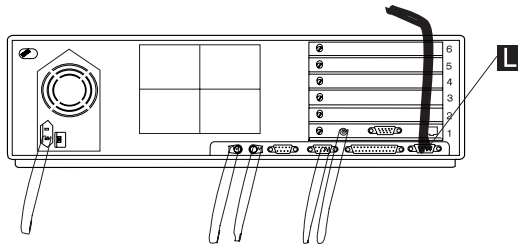
- If you have a display type A (9524) continue with “Display Type A (9524)” on page 5-32.
- If you have a display type B (7573) continue with “Display Type B (7573)” on page 5-34.

Display Type A (9524)

1. Switch OFF the display using the power ON/OFF switch located on the front panel.



2. Disconnect the power plug of the display from the ac power source.
3. At the rear of the Nways Switch administration station disconnect the display cable **L**

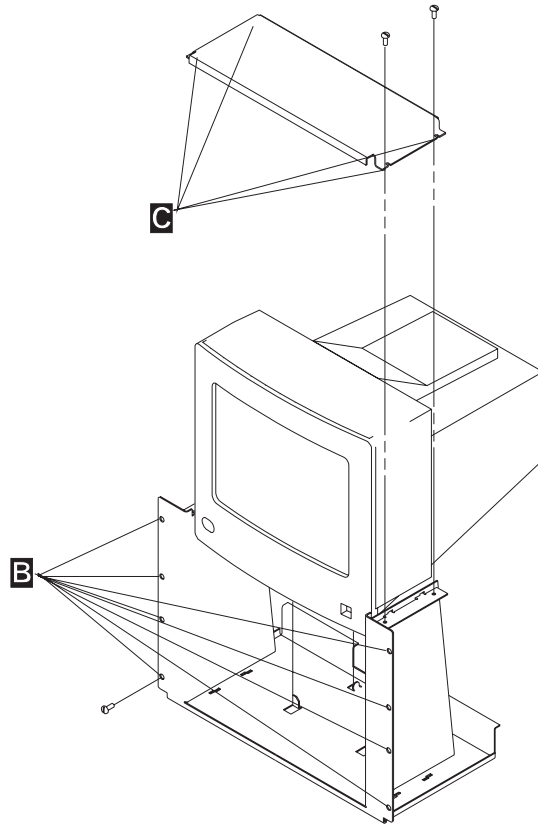


4. At the front of the Nways Switch administration station remove the eight screws **B**

Attention

Be carefull the weight of the display assembly is about 18 kg.

5. Slide out the display assembly from the rack and install it on a table.



6. Unscrew the four screws **C** , then remove the upper cover plate.
7. Slide up the display to remove it from its base.
8. Exchange the display then go to "Display Install" on page 5-37.

Display Type B (7573)

1. Remove the front cover plate by unscrewing the two screws **A**
2. Switch OFF the display using the power ON/OFF switch located under the front panel.

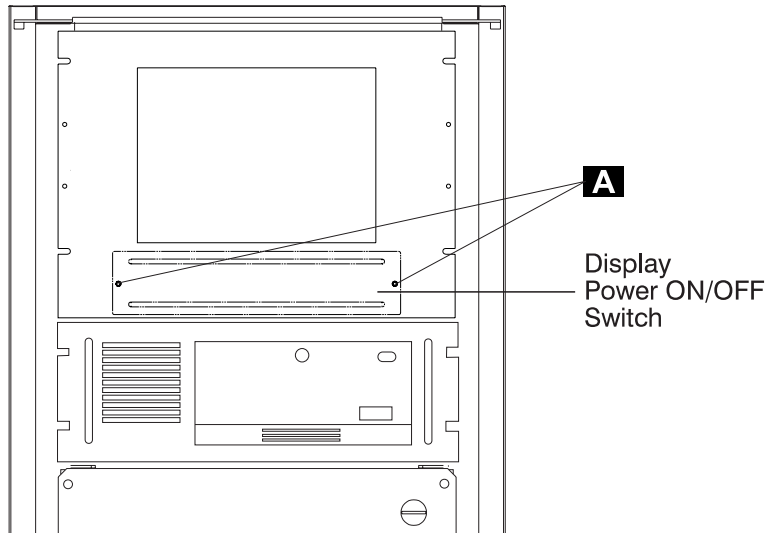
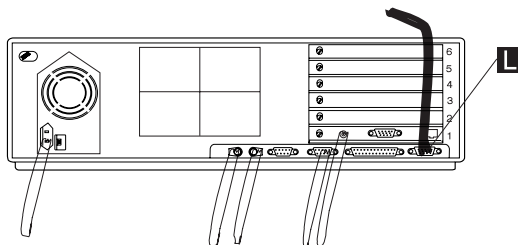
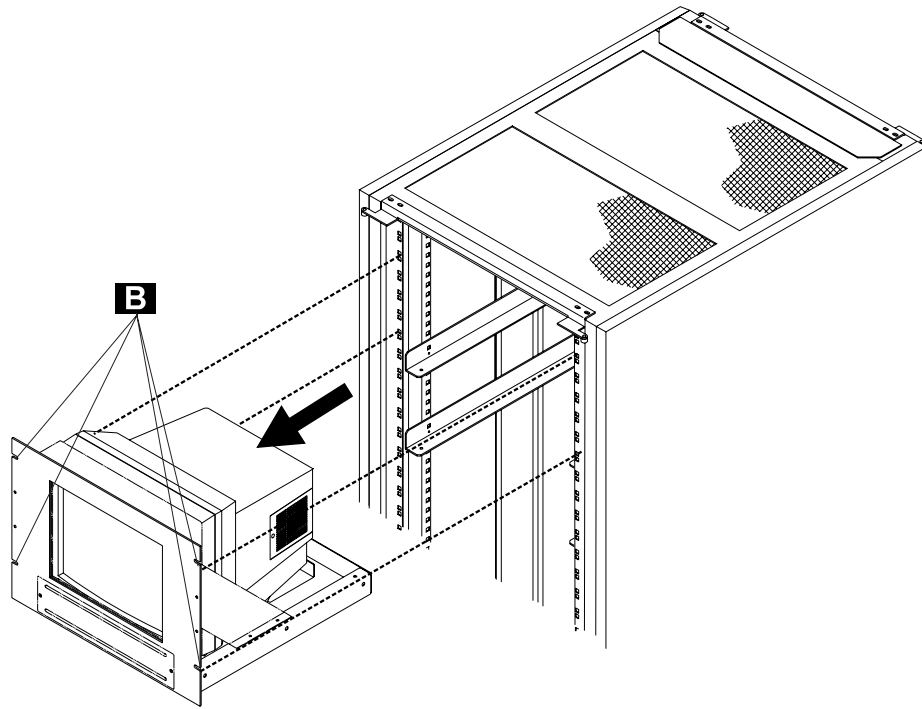


Figure 5-5. Display Power ON/OFF Switch

3. Disconnect the power plug of the display from the ac power source.
4. At the rear of the Nways Switch administration station disconnect the display cable **L**



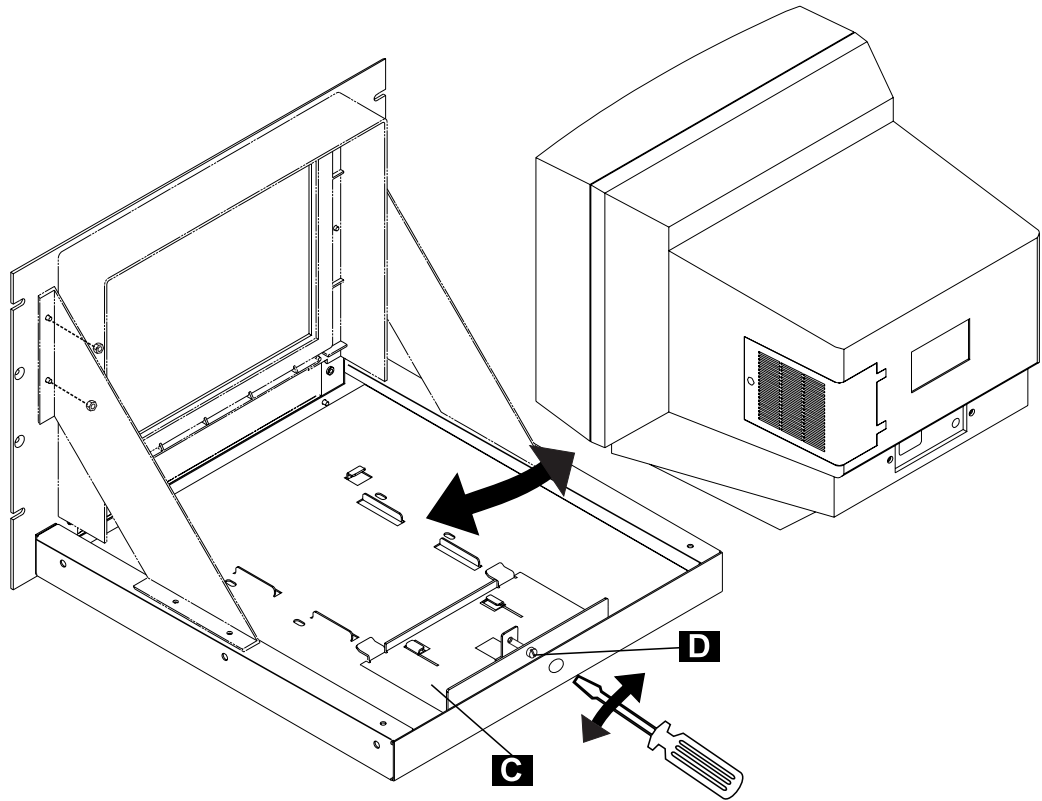
5. At the front of the Nways Switch administration station remove the four screws **B**



Attention

Be careful the weight of the display assembly is about 18 kg.

6. Slide out the display assembly from the rack and install it on a table.



7. Unscrew the screw **D** , to unlock the plate **C**
8. Slide up the display to remove it from its base.
9. Exchange the display then go to "Display Install" on page 5-37.

Display Install

Two cases must be considered:

1. You exchange a display by the same type of display. Follow the previous “Display Removal” on page 5-31 procedure in reverse order according to the type of display that your are exchanging.
2. You receive a display type B (7573) with a hold down kit (PN 80G3818 or PN 76H0338) to replace a defective display type A. Follow the procedure “Installing a New Display Type B in the Rack” on page 5-38

Installing a New Display Type B in the Rack

You should have received a display and hold down kit PN 80G3818 or PN 76H0338.

1. Unpack the hold down kit.
2. Install the front panel assembly **A** on the tray **B** and secure it using the braces **C** and nuts **D** .

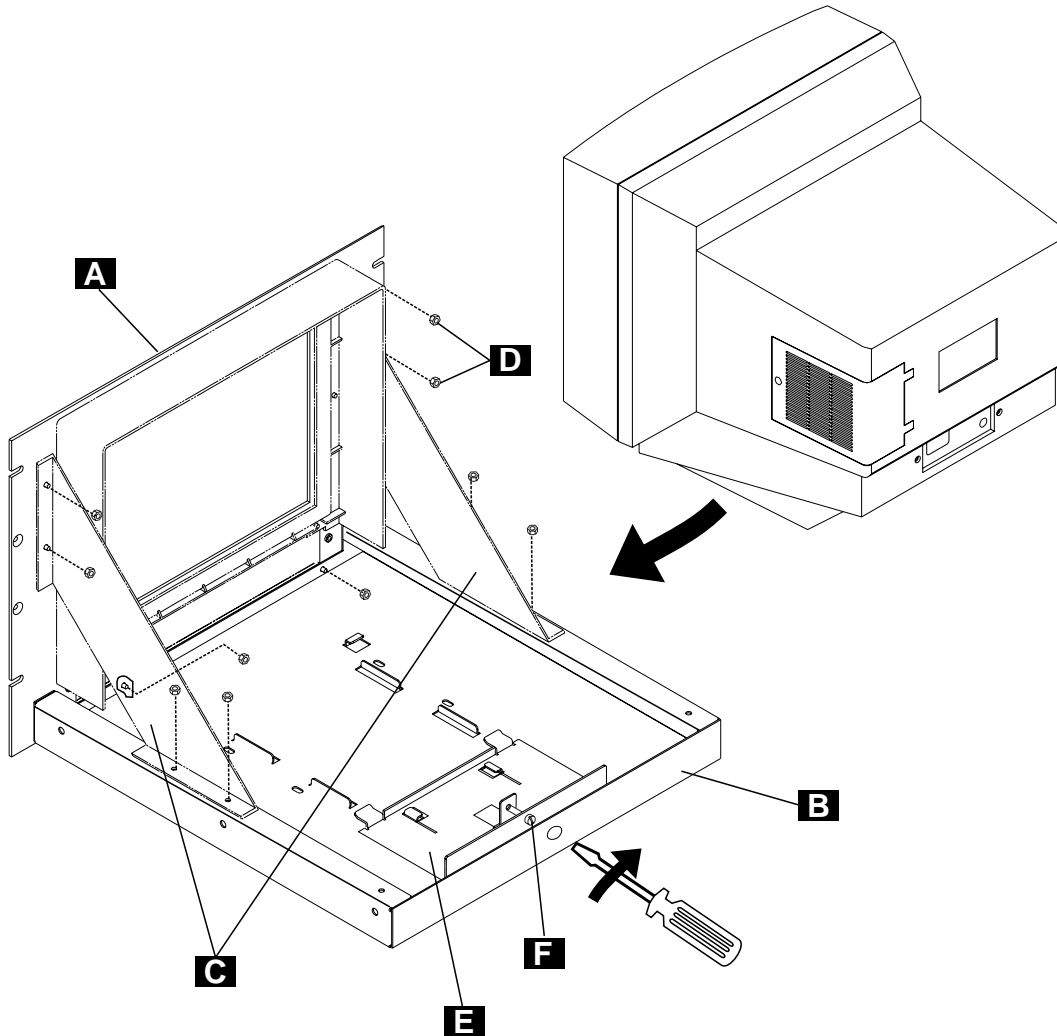


Figure 5-6. Display Installation

3. Unpack the display.
4. Install the display on the tray. Install the latch plate **E** to maintain the display and secure it with screw **F** .

5. Install the tray into the rack, and secure it with screws **G** .

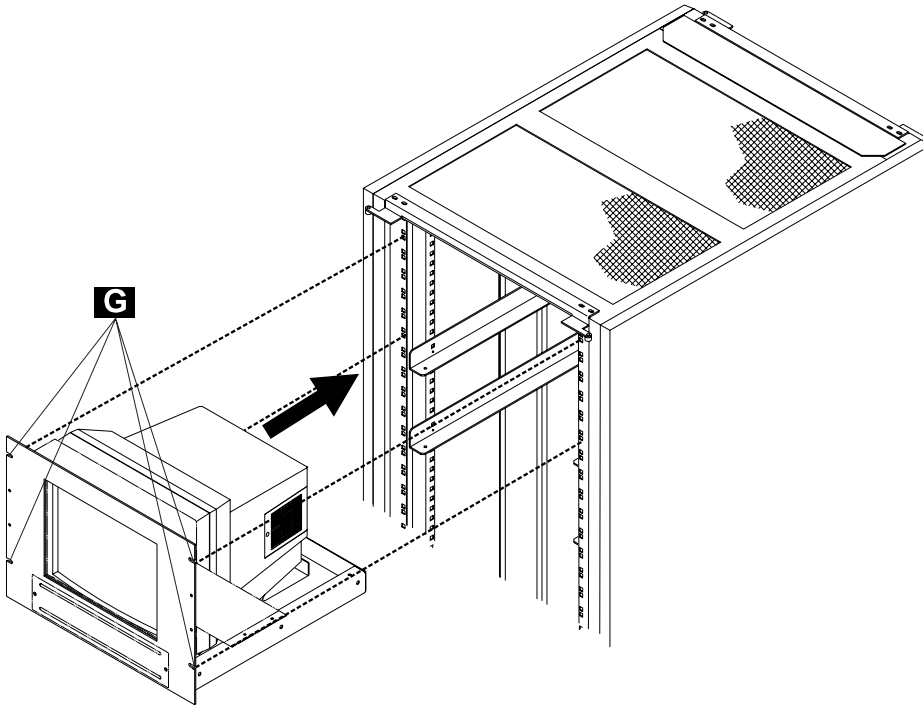


Figure 5-7. Display Assembly Installation in the Rack

6. At the rear of the rack, connect the display signal cable **L** to the NAS connector (refer to Figure 5-8).

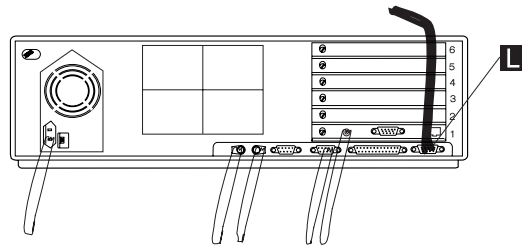


Figure 5-8. Display and Keyboard Cables Connection to the NAS

7. Connect the display power cable to the electrical outlets.
8. Switch ON the display using the power ON/OFF switch located on the front panel (see Figure 5-5 on page 5-34).
9. Check that your display is working.
10. Scrap the hardware display installation kit of the defective display.
11. Go to “Leaving Procedure” on page 5-40.

Ending the Exchange Procedure

1. If you have another FRU to exchange return to “Nways Switch Administration Station FRU Exchange” on page 5-2. Otherwise continue with the next step.
2. After you have exchanged all faulty FRUs, continue with “Leaving Procedure.”

Leaving Procedure

1. After you have terminated your investigation, call the Network Support Center to inform them and follow their instructions, if not already done.
2. Before leaving do not forget to Switch OFF the display of the NAS.
 - a. For display type A go to Step 7.
 - b. For display type B go to Step 3.
3. Remove the front cover plate by unscrewing the two screws **A** if not already done.
4. Switch OFF the display using the power ON/OFF switch located under the front panel.

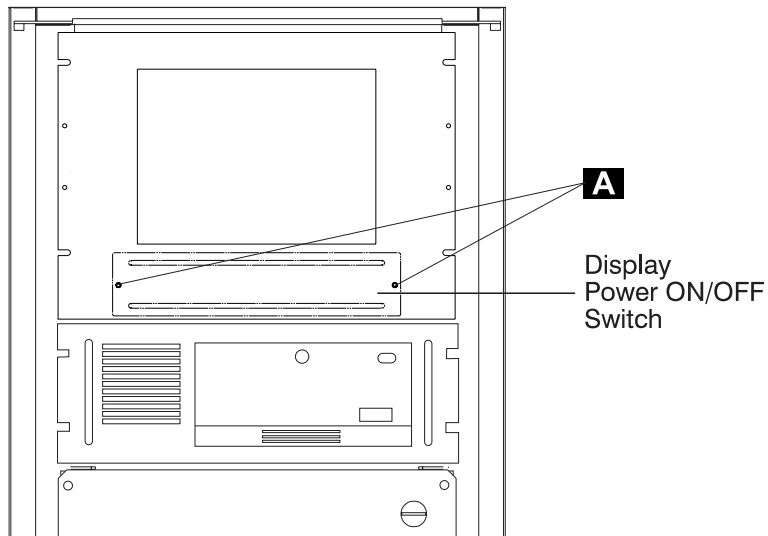


Figure 5-9. Display Power ON/OFF Switch

5. Reinstall the front cover plate and secure it using the two screws **A**.
6. Go to Step 8 on page 5-41.
7. Switch OFF the display of the NAS.

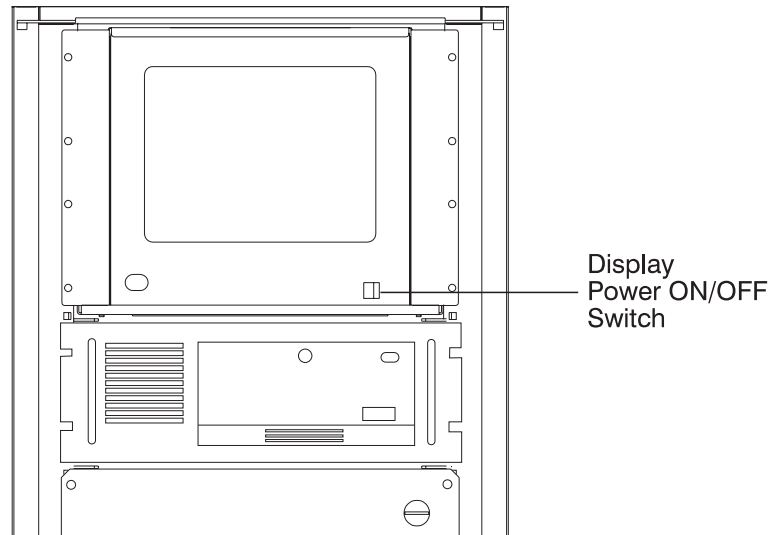


Figure 5-10. Display Power ON/OFF Switch

8. Re-install the external covers that you have removed, and close the doors.

Appendix A. Locations

2220-300 and 2220-500 Locations (Front View)	A-2
2220-300 and 2220-500 Locations (Rear View)	A-3

2220-300 and 2220-500 Locations (Front View)

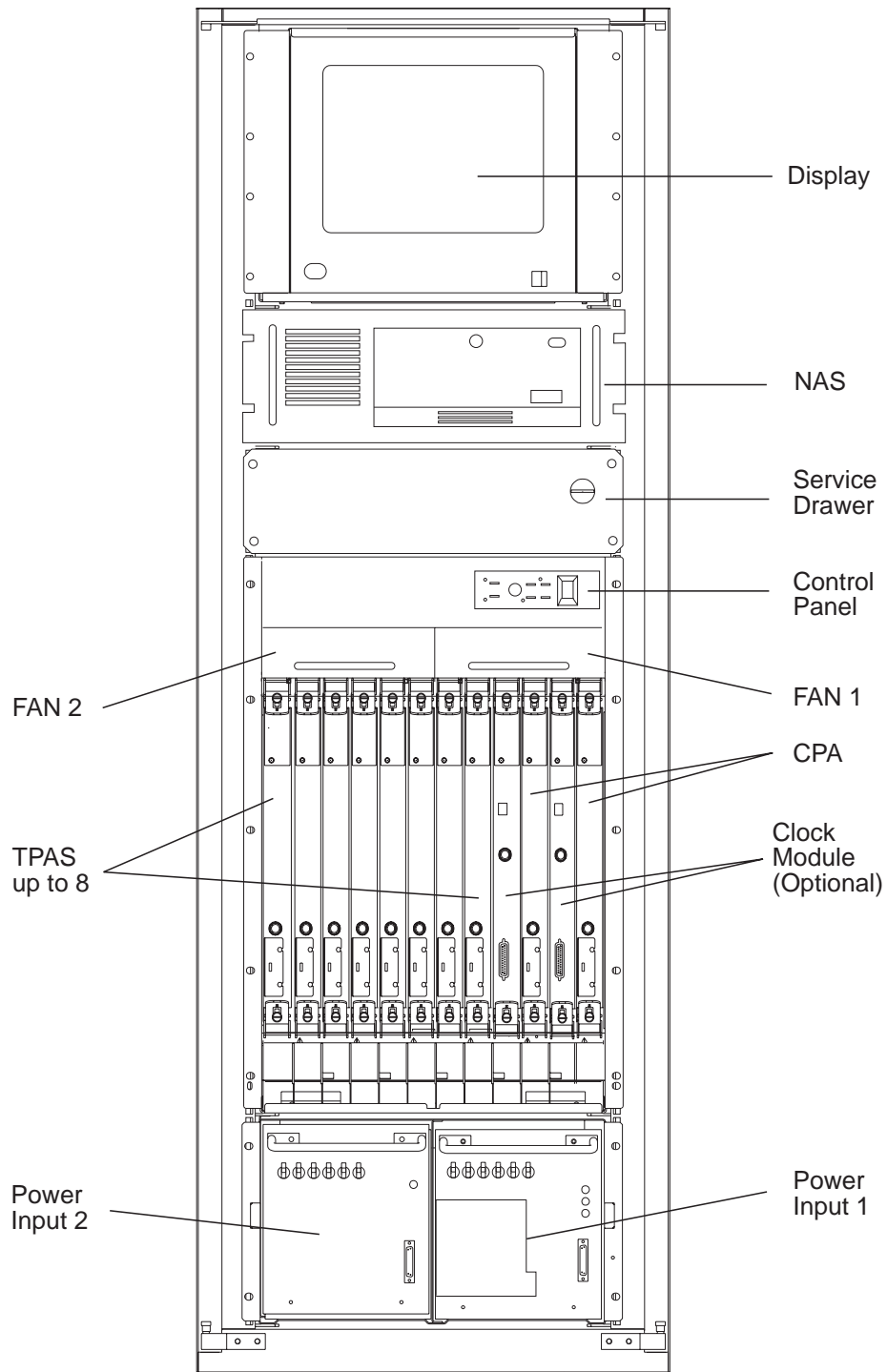


Figure A-1. 2220-300 and 2220-500 Front View (Adapter Side)

2220-300 and 2220-500 Locations (Rear View)

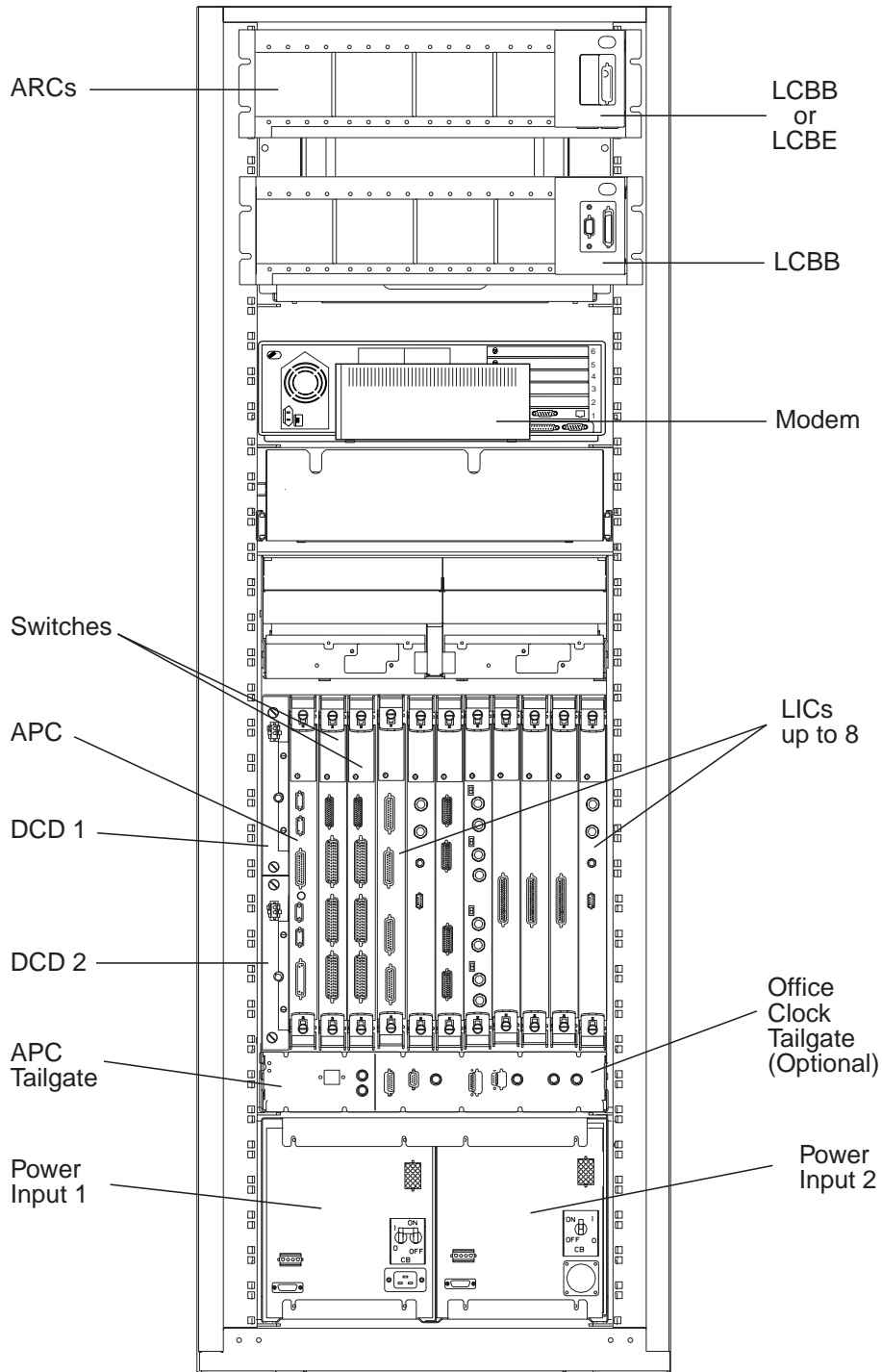


Figure A-2. 2220-300 and 2220-500 Rear View (LIC Side)

Appendix B. Configuration Reference for NAS Based on 7585-001

Configuration Utility

System Information

Processor	80486DX2
Processor Speed	66MHz
Math Coprocessor	Installed
System Memory	65152 KB
Flash Eeprom Revision Level	LDET46xx (Note)

Video

Video Controller	S3 Incorporated Vision864
Video Memory	2048 KB
Video Display Type	(User Defined)
Horizontal Frequency	(35.5 - 36.9)
Refresh Rate for (640 x 480)	60Hz
Refresh Rate for (800 x 600)	50Hz
Refresh Rate for (1024 x 768)	43 Hz Interlaced
Refresh Rate for (1280 x 1024)	45 Hz Interlacedz
Refresh Rate for (1600 x 1200)	Not Supported

Note: 'xx' country identification

Configuration Utility

Security

Power-On Password	(Disabled)
Administrator Password	(Disabled)
Diskette Drive Access	(Enabled)
Hard Disk Access	(Enabled)

Clock

Date	YY/MM/DD
Time	HH/MM/SS

Configuration Utility

Keyboard and Mouse

Power-On Password	(Disabled)
Keyboard Speed	(Fast)
Keyboard Numlock State	(Disabled)
Keyboardless Operation Mode	(Disabled)
Mouse	Installed

Input/outputs Ports

Serial Port A	(3F8 - IRQ4) COM1
Serial Port B	(2F8 - IRQ3) COM2
Parallel Port	(3BC - IRQ7) LPT1
Parallel Port Mode	PS/2* (Bi-directional)

Cache

Internal Cache	8 KB (Enabled)
External Cache	128 KB (Enabled)

Configuration Utility

Mass Storage Devices

Diskette Drive 0	(2.88 MB 3.5")
Diskette Drive 1	Not Installed
Hard Disk 0	595 MB (IDE) (Note)
Hard Disk 1	270 MB (IDE) (Note)
Primary IDE Mode	(High Performance)
Secondary IDE Mode	(High Performance)

Startup Options

First Startup Device	(Diskette Drive 0)
Second Startup Device	(Hard Disk 0)
Third Startup Device	(Hard Disk 1)
Fourth Startup Device	(Disabled)
Unattended Start Mode	(Disabled)

Note: For V2R1 code, the disk size is more than 2100 MB

Configuration Utility

Power Management

Power Down Timer	(30 Minutes)
Processor	(Managed)
Video Display	(Managed)
Hard Disks	(Managed)

Interrupts

IRQ5	(Used by ISA Adapter Card)
IRQ10	(Used by ISA Adapter Card)
IRQ11	(Available)

Configuration Utility

Memory Map (C0000 - DFFFF)

System Video BIOS at	(C0000 - C7FFF) Shadowed
Memory Space at	(C8000 - C9FFF) Reserved for ROM or UMB
Memory Space at	(CA000 - CBFFF) Reserved for ROM or UMB
Adapter Card ROM	(CC000 - CDFFF) Not Shadowed
Memory Space at	(CE000 - CFFFF) Reserved for ROM or UMB
Memory Space at	(D0000 - D1FFF) (Available)
Memory Space at	(D2000 - D3FFF) (Available)
Memory Space at	(D4000 - D5FFF) Adapter Card Buffer
Memory Space at	(D6000 - D7FFF) Adapter Card Buffer
Memory Space at	(D8000 - D9FFF) (Available)
Memory Space at	(DA000 - DBFFF) (Available)
Memory Space at	(DC000 - DDFFF) (Available)
Memory Space at	(DE000 - DFFFF) (Available)
Internal Caching	(C0000 - CFFFF) (Enabled)

Appendix C. Configuration Reference for NAS Based on 7585-P02

From the following window select the different options and go to the new windows for checking.

```
Configuration/Setup Utility

Select Option:

- System Summary           1
- Product Data             2
- Device and I/O Ports    3
- Date and Time            4
- System Security          5
- Start Options            6
- Advanced Setup           7
- ISA Legacy Resources     8
- Advanced Power Management 9

Save Settings
Restore Settings
Load Default Settings

Exit Setup
```

1

```
System Summary

Processor           Pentium
Processor Speed     133MHz
Math Coprocessor    Internal
System Memory       640 KB
Extended Memory     63 MB
Video Controller    S3 Incorporated. TRI064V+
Cache Size          256 KB (Note 1)
Cache State         Enabled
Shadow RAM          384 KB
System ROM          F000h-FFFFh
Memory Type         Parity
Diskette Drive A    1.44 MB 3.5"
Diskette Drive B    Not Installed
Hard Disk Drive 0   2100 MB (Note 2)
Hard Disk Drive 1   2100 MB (Note 2)
Hard Disk Drive 2   Not Installed
Hard Disk Drive 3   Not Installed
```

Note:

Notes:

1. If the value of the **Cache Size** is not correct, set it before continuing (see Appendix D, "How to Set the Cache Size Value" on page D-1).
2. The hard disk drive size may be larger.

2

Product Data

Machine type/ Model	7585P02
Flash EEPROM Revision Level	LVKT21AUS
System Board Identifier	-A123456789
System Serial Number	xxxxxxx
BIOS Date	07/19/96

3

Device and I/O Ports

Mouse	(Installed)
Diskette Drive A:	(1.44 MB 3.5")
Diskette Drive B:	(Not Installed)

- Serial Port Setup...
- Parallel Port Setup...
- Video Setup...
- IDE Drives Setup...

Serial Port Setup

Serial Port A Address	(3F8h)
Serial Port A IRQ	(IRQ 4)
Infra Red Port Address	2F8h
Infra Red Port Address	(IRQ 3)

Parallel Port Setup

Parallel Port	(3BCh)
Parallel Port Mode	(Standard)
Parallel Port Extended Mode	(Bidirectional)
Parallel Port Extended Mode DMA	(No DMA)
Parallel Port IRQ	(IRQ 7)

Video Setup

Video Controller	S3 Incorporated: trio64V+
Video Memory	1024 KB
DDC Monitor checking	(Enabled)
Video interrupt	(Disabled)

Video Display Type	(Custom)
Monitor Horizontal Frequency	(Not Supported)
Refresh Rate for (640 X 480)	(60 Hz)
Refresh Rate for (800 X 600)	(60 Hz)
Refresh Rate for (1024 X 768)	(43 Hz Interlaced)
Refresh Rate for (1180 X 1024)	(not supported)
Refresh Rate for (1600 X 1200)	(not supported)

IDE Drives Setup

- Hard Disk Drive 0
- Hard Disk Drive 1
- Hard Disk Drive 2
- Hard Disk Drive 3

Hard Disk Drive 0

Size Disk Drive 0	(2100 MB) (Note)
IDE Performance	(High Performance)
IDE Read Refresh	(Disable)

Note: The disk size may be larger.

Hard Disk Drive 1

Size Disk Drive 0	(2100 MB) (Note)
IDE Performance	(High Performance)
IDE Read Refresh	(Disable)

Note: The disk size may be larger.

4

Date and Time

Time	HH/MM/SS
Date	MM/JJ/YY

5

System Security

- Secure Hard Disk Drives and Diskettes Drives
- Power On Password
- Administrator Password

Secure Hard Disk Drives and Diskette Drives

Hard Disk Access	(Enable)
Diskette Drive Access	(Enable)

Power-On Password

Enter your new Power-on password twice.

Enter Power-on Password ()
Enter Power-on Password Again ()

Set or Change Power-on Password
Delete Power-on Password

Password Prompt (ON)

Administrator Password

Enter your new Administrator password twice.

Enter Administrator Password ()
Enter Administrator Password Again ()

Set or Change Administrator Password
Delete Administrator Password

Power-on Password changeable by user (NO)

6

Start Options

Keyboard Numlock State (ON)
Keyboard Speed (Fast)
Diskettes Operation (Disabled)
Monitorles Operation (Disabled)
Keyboardles Operation Mode (Disabled)

First Startup Device (Diskette Drive 0)
Second Startup Device (Hard Disk 0)
Third Startup Device (Disabled)
Fourth Startup Device (Disabled)

Power On Self-Test (Enhanced)
Power On Log (Enabled)
Power On F1/Esc Option (Enabled)
Virus detection (Disabled)

7

Advanced Setup

Warning:

Items on the following menus control advanced Hardware features if they are configured incorrectly, the system might malfunction.

- Memory Control
- Cache Control
- ROM Shadowing
- PCI Control
- Plug and Play Control

Memory Control

Memory Access Speed (60ns Access)

Cache Control

Cache State (Enabled)
Cache Size 256 KB (note)

Note: You can not set this value in this procedure. For changing the **Cache Size** value see the Appendix D, "How to Set the Cache Size Value" on page D-1.

ROM Shadowing

F0000h-FFFFFh (System BIOS)	(Enabled)
E8000h-EFFFFh	(Enabled)
E0000h-E7FFFh	(Enabled)
DC000h-DF000h	(Disabled)
D8000h-DB000h	(Disabled)
D4000h-D7000h	(Disabled)
D0000h-D3000h	(Disabled)
CC000h-CF000h	(Disabled)
C8000h-CB000h	(Disabled)
C0000h-C7FFFh (Adapter Video BIOS)	(Enabled)

PCI Control

PCI Burst Mode (Enabled)

Plug and Play Control

Set Device Mode (Enabled)

ISA Legacy Resources

Information: ISA legacy Resources (DMA, Interrupts, Memory, and I/O Ports) are resources that are used by ISA adapter which are not Plug-and-Play adapters. Use this menus to indicate which resources are Used by ISA Legacy adapters. Resources used by the system are already indicated.

- Memory Resources
- I/O Ports Resources
- DMA Resources
- Interrupt Resources

Memory Resources

A0000h-A3FFFh	(System Resource)
-	-
C6000h-C7FFFh	(System Resource)
C8000h-C9FFFh	(Available)
-	-
DE000h-DFFFFh-	
E0000h-FFFFFFh	(System Resource)
100000h-1FFFFh	(Available)
-	-
E00000h-EFFFFFFh	(Available)
F00000h-FFFFFFh	(Available)

I/O Port Resources

100h-103h	(System Resource)
104h-107h	(System Resource)
108h-10Bh	(Available)
- -	-
170h-173h	(System Resource)
174h-177h	(System Resource)
178h-17Bh	(Available)
- -	-
1ECh-1EFh	(Available)
1F0h-1F3h	(System Resource)
1F4h-1F7h	(System Resource)
1F8h-1FBh	(Available)
- -	-
2F4h-2F7h	(Available)
2F8h-2FBh	(System Resource)
2FCh-2FFh	(System Resource)
300h-303h	(Available)
- -	-
370h-373h	(Available)
374h-377h	(System Resource)
378h-37Bh	(Available)
- -	-
3B0h-3B3h	(Available)
3B4h-3B7h	(System Resource)
- -	-
3DCh-3DFh	(System Resource)
3E0h-3E3h	(Available)
- -	-
3ECh-3EFh	(Available)
3F0h-3F4h	(System Resource)
- -	-
3FCh-3FFh	(System Resource)

DMA Resources

Channel 0	(Available)
Channel 1	(Available)
Channel 2	(System Resource)
Channel 3	(Available)
Channel 4	(Available)
Channel 5	(Available)
Channel 6	(Available)
Channel 7	(Available)

Interrupt Resources

0	(System Resource)
1	(System Resource)
2	(System Resource)
3	(System Resource)
4	(System Resource)
5	(Available)
6	(System Resource)
7	(System Resource)
8	(System Resource)
9	(Available)
10	(Available)
11	(Available)
12	(System Resource)
13	(System Resource)
14	(Available)
15	(Available)

9

Advanced Power Management

APM BIOS Mode (Enabled)

- Automatic Hardware Power Management
- Activity Monitor
- Automatic Power On

Automatic Hardware Power Management

Automatic Hardware Power Management	(Enabled)
Time to Level 1 Power Management	(15 min)
System Power	(ON)
Processor Speed	(25%)
Display	(Standby)
Time to Level 2 Power Management	(30 min)
System Power	(ON)
Processor Speed	(01%)
Display	(Suspend)
Time to Level 3 Power Management	(1 hr)
System Power	(ON)
Processor Speed	(01%)
Display	(OFF)
Hard File	(Enabled)

Activity Monitor

Hard Files	(Enabled)
IRQ 1	(Enabled)
IRQ 2	(Enabled)
IRQ 3	(Enabled)
IRQ 4	(Enabled)
IRQ 5	(Enabled)
IRQ 6	(Enabled)
IRQ 7	(Enabled)
IRQ 8	(Enabled)
IRQ 9	(Disabled)
IRQ10	(Disabled)
IRQ11	(Disabled)
IRQ12	(Enabled)
IRQ13	(Enabled)
IRQ14	(Disabled)
IRQ15	(Disabled)

Automatic Power On

Serial Port Ring Detect	(Disabled)
Modem Ring Detect	(Disabled)
Wake Up on Alarm	(Disabled)
Alarm Date MM/DD/YY	(MM/DD/YY)
Alarm Time	(HH:mm)

- LAN Wake Up

LAN Wake Up

Warning

The following item controls LAN wake up requests only if a network adapter is installed in your system, the network adapter supports wake up requests, and the network adapter is configured properly

LAN Wake UpDetect	(Disabled)
-------------------	------------

Appendix D. How to Set the Cache Size Value

1. From the **Configuration/Setup Utility** select the **Load Default Settings** option, then press **Enter**.
2. Exit from the **Configuration/Setup Utility** by selecting **Exit Setup** option.

```
Settings were changed
  Do you want save them

Yes, save and exit the Setup utility
No, exit the Setup Utility without saving
No, return to the Setup Utility
```

3. Select the **Yes, save and exit Setup utility** option, then press **Enter**.
4. When the IBM logo is displayed, press the **F1** key to display again the **Configuration/Setup Utility** and check that the **Cache Size** is well set at 256.
5. Return to the procedure where you came from.

Appendix E. Modem Part Number

This section lists the modem part number by country.

Nways Switch HAYES Modem Part Number

Country	Modem Part Number	Telecommunication Cable Part Number
Argentina	80G4535	29H5482
Australia	80G4536	29H5476
Brazil	80G4537	29H5482
Canada	80G4538	29H5482
Denmark	80G4539	29H5471
Finland	80G4540	29H5472
France	80G4541	29H5479
Germany	80G4542	29H5477
Hong Kong	80G4543	29H5469
Iceland	80G4544	29H5475
Ireland	80G4545	29H5482
Italy	80G4546	29H5480
Japan	80G4547	29H5482
Morocco	80G4548	29H5482
New Zealand	80G4549	29H5469
Norway	80G4550	29H5474
Netherlands	80G4551	29H5473
Switzerland	80G4552	29H5478
Sweden	80G4553	29H5475
UK	80G4554	29H5469
USA	80G4557	29H5482

Bibliography

This section lists prerequisite and related publications.

Nways Switch Publications

- *2220 Nways BroadBand Switch At a Glance, an Overview*, GA33-0292
- *2220 Nways BroadBand Switch Planning Guide*, GA33-0293
- *2220 Nways BroadBand Switch Configuration Guide*, GA33-0474
- *2220 Nways BroadBand Switch Physical Lines Interface Specifications, External Cable References*, GA33-0379
- *2220 Nways BroadBand Switch Frame Relay Interface Specifications*, GA33-0374
- *2220 Nways BroadBand Switch HDLC Interface Specifications*, GA33-0375
- *2220 Nways BroadBand Switch CES Interface Specifications*, GA33-0376
- *2220 Nways BroadBand Switch ATM Interface Specifications*, GA33-0378
- *2220 Nways BroadBand Switch X.25 Interface Specifications*, GA33-0413
- *2220 Nways BroadBand Switch ISDN Interface Specifications*, GA33-0447
- *How to use the NAS*, online tutorial¹
- *2220 Nways BroadBand Switch Setup Guide*, SY33-2105 (P/N 59G0544)
- *2220 Nways BroadBand Switch Service Guide*, SY33-2121 (P/N 02L4247)
- *Nways Switch Administration Station Setup and Service Guide (Based on 7585)*, SY33-2122 (P/N 02L4248)
- *Nways Switch Administration Station Setup and Service Guide (Based on 6282)*, SY33-2123 (P/N 02L4249)
- *2220 Nways BroadBand Switch Models 300, 500, and 501; Safety Information*, GA33-0401 (P/N 80G4908)

Nways 2220 Switch Manager Publications

- *IBM Nways 2220 Switch Manager for AIX Installation Guide*, SH11-3088
- *IBM Nways 2220 Switch Manager for AIX: Performance Monitoring and Accounting*, GA33-0366
- *IBM Nways 2220 Switch Manager User's Guide*, online manual²

Related Publications

- *Link Problem Determination Aid*, SY33-2064
- *Power Supply and Telecommunication Connections*, GA33-0054
- *IBM 7855 Guide to Operation*, GA33-0160
- *IBM 7857 Guide to Operation*, GA13-1839
- *IBM 7858 Professional Modem Guide to Operation*, GA13-1981
- For 7585 Model 001: *7585 Industrial Computer Information: Installation, Operation, Hardware Maintenance*, S06H-2298
- For 7585 Model P02: *7585 P02 Industrial Computer PCI/ISA: Information, Installation, Operation, Hardware Maintenance*, S76H-3792
- *IBM Personal Computer 300 Series, 700 Series, IntelliStation; Hardware Maintenance Manual*, S83G-7789
- *Planning for Enterprise Systems Connection Links*, GA23-0367

World Wide Web

You can access the latest news and information about IBM network products, customer service and support, and microcode upgrades on the IBM World Wide Web server, via Internet, at the URL <http://www.ibm.com>

¹ Online documentation delivered with the 2220 Nways Switch Control Program.

² Online documentation delivered with the Nways 2220 Switch Manager product.

Glossary

The following are the abbreviations and technical terms used in the 2220 Nways Switch library.

2220. The IBM 2220 Nways BroadBand Switch (also called Nways Switch) is a fast packet switch enabling high-speed communications over a broadband network. It implements the functions of the IBM Networking BroadBand Services (NBBS) architecture.

2220-300. 2220 Nways Switch Model 300.

2220-500. 2220 Nways Switch Model 500.

2220-501. 2220 Nways Switch Model 501.

2220 NSM. 2220 Nways Switch Manager

AAL. ATM adaptation layer.

ABR. Availability bit rate. A best effort service with a minimum bit rate and a maximum cell loss value.

ac. Alternating current.

access services. Functions that are performed by a port adapter of the IBM 2220 Nways BroadBand Switch to:

- Support the attachment of external user devices through port lines
- Prepare user data packets
- Control the input traffic on port lines
- Manage line protocols.

active remote connector (ARC). A connector that supplies the electrical and physical interfaces between a line interface coupler type 511 (LIC511) in an Nways Switch subrack and data circuit-terminating equipment (DCE) or data terminal equipment (DTE). ARCs are housed in line connection boxes (LCBs).

adapter. An Nways Switch module that can be used, depending on its hardware type and the code that it runs, as:

- Control point adapter
- Port adapter
- Trunk adapter
- Voice server adapter.

A trunk or port adapter is associated with a line interface coupler (LIC). A voice server adapter can be associated with a voice server extension (VSE).

ADPCM. Adaptive differential pulse code modulation.

AIS. Alarm indicator signal.

AIX. Advanced Interactive Executive.

alarm and power control (APC). In an Nways Switch, a module that connects the NAS, reports alarms, and controls the power supplies.

Alert Manager. An application that processes the SNA alerts received from IBM 3746s operating in IP mode.

AMI. Alternate mark inversion.

ANSI. American National Standards Institute.

APC. Alarm and power control (module).

AR. Access rate.

ARC. Active remote connector.

asynchronous transfer mode (ATM). A high-speed, connection-oriented switching and multiplexing protocol that transmits different types of traffic (voice, video, and data) simultaneously.

ATM. Asynchronous transfer mode.

ATMA_n. ATM adapter type n (module).

ATM adaptation layer (AAL). In ATM devices, a set of protocols that adapt non-ATM devices to an ATM network. There are several classes of ATM adaptation layers which represent the main traffic types (for example, data, voice, and video).

ATM network interface. A logical resource generated by the Nways Switch Control Program to provide access services to a physical ATM port or trunk line. An ATM network interface sets up and maintains predefined ATM virtual connections.

AT&T. American Telephone & Telegraph (Company).

B8ZS. Bipolar eight-zero substitution.

Bc. Burst committed.

Be. Burst in excess.

bearer service profile (BSP). A set of parameters that defines a type of ISDN traffic (speech, audio, data, or video). One BSP is associated with each ISDN numbering plan table.

BECN. Backward explicit congestion notification.

B-ICI. Broadband inter-carrier interface.

BMI. Byte multiplexer interface.

BNC. Bayonet Niell-Concelman.

bps. Bit per second.

bridge. A functional unit that interconnects two local area networks. A bridge works at the data link level (layer 2) of the OSI reference model.

broadband network. A network that uses a large frequency band to transport different kinds of traffic (such as coded voice, video, and data) at the same time.

BS. Bearer services.

BSC. Binary synchronous communication.

BSP. Bearer service profile.

BT. Burst tolerance.

bursty. Refers to transmission at variable bit rate where the time between data transmissions is not always the same.

CAC. Connection admission control.

CAS. Channel associated signaling.

CBR. Constant bit rate.

CCS. (1) Common channel signaling (2) Change control server (also called CC server).

CDB. Configuration database.

CDV. Cell delay variation.

CDVT. Cell delay variation tolerance.

cell loss priority (CLP). A priority bit in the ATM cell header. When set, it indicates that the cell can be discarded during traffic congestion.

centralized configuration database. A database prepared with the Nways Switch Configuration Tool Version 2 (NCT2) on a configuration station. It stores the parameters of a 2220 network.

CES. Circuit emulation services.

change control server (CCS or CC server). A station that runs the IBM NetView Distribution Manager for AIX to store the Nways Switch Control Program and to manage code changes.

CIR. Committed information rate.

circuit emulation services (CES). An access service that emulates a leased line. It transports information

with a constant bit rate at the source and destination. The traffic can be PCM voice, video, fax, multimedia, or real-time synchronous data (such as BSC).

CLIP. Calling line identification presentation.

CLIR. Calling line identification restriction.

CLK. Clock (module).

CLKRD. Clock redrive (module).

clock module (CLK). A module of the 2220 Model 300 or 500 that transmits clock signals to the line interface couplers (LICs). It is optional and can have a backup.

clock redrive (CLKRD). A module of the 2220 Model 501 that drives the signals from the Model 500 clock module to the adapters of the Model 501. The clock redrive is optional and can have a backup.

clock references. In an Nways Switch, the software function that controls the transmission of clock signals to the LICs where they are used for bit synchronization.

CLP. Cell loss priority.

CMIP. Common management information protocol.

CMIS. Common management information services.

CMOT. CMIP over TCP/IP.

CNM. Communication network management.

code file. A named set of records stored as a unit in a change control server. An Nways Switch code file can include data or internal code.

COLP. Connected line identification presentation.

COLR. Connected line identification restriction.

configuration station. See Nways Switch configuration station.

control point (CP). In an Nways Switch, a logical resource that provides network control functions. It can have a backup.

CP. Control point.

CPA. Control point adapter (module).

CPE. Customer premises equipment.

CP spanning tree. In a 2220 network, a distribution tree that connects the Nways Switch control points through trunk lines.

The CP spanning tree supplies a very fast and efficient way to multicast control messages such as network topology data.

CRC. Cyclic redundancy check.

CSU. Channel access unit.

CTD. Cell transfer delay.

data circuit-terminating equipment (DCE). An equipment installed on a user premises that provides all the functions required to establish, maintain, and terminate a connection, and to do the signal conversion and coding between a data terminal equipment (DTE) and a line. A DCE can be separate piece of equipment or part of other equipment.

data terminal equipment (DTE). That part of a data station that serves as data source, data sink, or both, and provides the data communication control function depending on the type of protocol used.

dB. Decibel.

dBm. Decibel based on 1 milliwatt.

DC48. Dc power input type -48V

dc. Direct current.

DCD. Dc distribution (module).

DCE. Data circuit-terminating equipment.

DDI. Direct dialing-in.

DE. Discard eligibility.

decibel (dB). (1) One tenth of a bel. (2) A unit that expresses the ratio of two power levels on a logarithmic scale. (3) A unit for measuring relative power. The number of decibels is 10 times the logarithm (base 10) of the ratio of the measured power levels; if the measured levels are voltages (across the same or equal resistance), the number of decibels is 20 times the log of the ratio.

decibel based on 1 milliwatt (dBm). A unit of absolute power measurement that is scaled such that 0 dBm equals 1 milliwatt.

dialog box. On the screen of a station, an area with entry fields and push buttons. (Also called dialog.)

DLCI. Data link connection identifier.

DNPT. Destination numbering plan table.

DSP. Digital service processor.

DSU. Data service unit.

DTE. Data terminal equipment.

DTMF. Dual-tone modulation frequency.

DTR. Data terminal ready.

dummy module. In an Nways Switch, a cover inserted in the place of a module to ensure correct air cooling inside a logic subrack. During normal operation, the dummy modules must not be removed.

E1 standard. A European standard for TDM digital transmission service at 2.048 Mbps.

E3 standard. A European standard for TDM digital transmission service at 34.368 Mbps. An E3 line can transport up to 16 E1 circuits.

E&M. Earth & mark.

ECMA. European Computers Manufacturers Association.

EIA. Electronics Industries Association.

equivalent capacity. The minimum amount of bandwidth needed by a connection to ensure that the packet loss ratio is below a specified threshold.

ESF. Extended status flags.

ETS. European telecommunication standard.

FANB. Fan box.

FAT. File allocation table.

fax. Document received from a facsimile machine. Synonym for telecopy.

FCS. Frame check sequence.

FDDI. Fiber Distributed Data Interface.

FE1. Fractional E1.

FECN. Forward explicit congestion notification.

FEP. Front-end processor.

fiber. Synonym for optical fiber.

fiber budget. The optical power loss as result of the number of connections in the optical fiber link subtracted from the working budget. The loss as a result of connections includes connector loss and splice loss. The fiber budget is expressed in decibels.

Fiber Distributed Data Interface (FDDI). A U.S. standard for 100 Mbps token-ring LANs using optical fiber cables over distances of several kilometers.

fiber optic cable. Synonym for optical fiber.

FR. Frame relay.

FRAD. Frame-relay access device.

frame relay (FR). A connection-oriented protocol to transport data frames over a fast packet-network with guaranteed end-to-end quality of service.

FRFH. Frame-relay frame handler.

front-end processor (FEP). A processor, such as the IBM 3745, 3746 Model 900 or 950, or 3174, that relieves a main frame from communication control tasks.

FRTE. Frame-relay terminal equipment.

FRU. Field replaceable unit.

FT1. Fractional T1.

FTP. File transfer protocol.

Gbps. Gigabit per second (10 to the power of 9 bits per second).

GCRA. Generic cell rate algorithm.

GFP. Generic function protocol.

GFT. Generic function transport.

GSM. Group special mobile.

GUI. Graphical user interface.

HDB3. High-density bipolar 3.

HDLC. High-level data link control.

high-level data link control (HDLC). A data network protocol.

hot pluggable. Refers to a hardware component that can be installed or removed without disturbing the operation of any other resource that is not connected to, or dependent, on this component.

HPFS. High-performance file system.

HPRI. High priority.

HSA_n. High-speed adapter type n (module).

HSDS. High-speed digital services.

HSSI. High-speed serial interface.

hub (intelligent). A wiring concentrator, such as the IBM 8260, that supplies bridging and routing functions for LANs with different cables and protocols.

hunt group. See X.25 hunt group.

IDNX. Integrated Digital Network Exchange.

IE. Information element.

ILMI. Interim local management interface.

IMU. Inverse multiplexing unit

Integrated Digital Network Exchange (IDNX). A processor integrating voice, data, and image applications. It also manages transmission resources and connects to multiplexers and network management support systems. It permits integration of equipment from different vendors.

integrated services digital network (ISDN). A digital end-to-end public or private network that supports multiple services including, but not limited to, voice and data.

IP. Internet Protocol.

IP gateway adapter. In an Nways Switch, a port adapter that routes the IP control between the NAS and the network management station.

ISDN. Integrated services digital network.

ISDN network interface. A logical resource generated by the Nways Switch Control Program to provide access services to a physical ISDN or QSIG port line. An ISDN network interface sets up and maintains connections between calling ISDN terminal equipments and called terminal equipments attached through other Nways Switches.

ISO. International Organization for Standardization.

isochronous. Refers to transmission at a constant bit rate where there is a clock relationship between source and destination. The bit rates are the same on the destination and source.

ITU-T. International Telecommunication Union - Telecommunication (replaces CCITT).

jitter. Undesirable variations in the transmission delay of a digital signal. Also called cell delay variation (CDV).

KB. Kilobyte (storage capacity, 1024 bytes).

kbps. Kilobit per second (1000 bits per second).

LAN. Local area network.

LAPB. Link access procedure for B-channel.

LAPD. Link access procedure for D-channel.

LCB. Line connection box.

LCBB. Line connection box, base (LCEB and LCPB).

LCBE. Line connection box, expansion (LCEE and LCPE).

LCEB. Line connection enclosure, base.

LCEE. Line connection enclosure, expansion.

LCPB. Line connection power, base.

LCPE. Line connection power, expansion.

LCR. Least cost routing.

LED. Light-emitting diode.

LICn. Line interface coupler type n (module).

line. In a 2220 network, any physical medium, such as a telephone wire, microwave beam, or optical fiber, that transmits information. A line can be a trunk line or a port line.

line connection box (LCB). A metallic box that:

- Multiplexes up to 15 low-speed lines. There can be up to four LCBs per LIC type 511 for a total of 60 lines (two LCBs and 30 lines per LIC connector).
- Reduces cable lengths between Nways Switch and DCE or DTE locations.

An LCB fits in a standard 19-inch rack. Each one houses up to 15 active remote connectors (ARCs).

line interface coupler (LIC). In an Nways Switch, a module that physically attaches trunk or port lines. Each line interface coupler is associated with a trunk or port adapter, and supports specific line interfaces.

LIV. Link integrity verification.

LMI. Local management interface.

local area network (LAN). A computer network located on a user premises in a limited geographical area.

logical port. (Also called NBBS port.) A logical resource generated by the Nways Switch Control Program to provide access services to a physical port line (or channel of a TDM port line) using HDLC, FR, or CES protocol. A logical port sets up and maintains its predefined connections.

logical trunk. (Also called NBBS trunk.) A logical resource generated by the Nways Switch Control Program to provide transport services to a physical trunk line (or channel of a TDM trunk line). A logical trunk is mainly responsible for optimizing bandwidth and maintaining the CP spanning tree.

LSAn. Low-speed adapter type n (module).

MA/SR. Multi-access/sub-rate.

management access. Refers to an Nways Switch that connects a network management station or a change control server to a 2220 network through its service bus, which is a dedicated Ethernet LAN.

MB. Megabyte (storage capacity, 1 048 576 bytes).

Mbps. Megabit per second (10 to the power of 6 bits per second).

MBS. Maximum burst size.

MLT. Multiple logical trunks.

module. In an Nways Switch, a hardware unit plugged in a slot of the logic subrack. It houses, for example, an adapter, a line interface coupler, or a voice server extension. All modules are hot pluggable.

ms. Millisecond (1/1000 second).

NAS. Nways Switch administration station.

NBBS. Networking BroadBand Services (architecture).

NBBS architecture. See Networking BroadBand Services.

NBBS connection. See potential connection and virtual connection.

NBBS network. A network built with IBM 2220 Nways BroadBand Switches and conforming to the IBM Networking BroadBand Services (NBBS) architecture.

NBBS port. See logical port.

NBBS trunk. See logical trunk.

NCT2. Nways Switch Configuration Tool Version 2.

NDPS. Non-disruptive path switching.

NEM. Nways Enterprise Manager (see 2220 Nways Switch Manager).

network control. Functions that are performed by an Nways Switch control point to:

- Allocate and control the Nways Switch resources
- Provide topology and directory services

- Select routes
- Control congestion.

network management station (NMS). A station that runs IBM NetView for AIX and the 2220 Nways Switch Manager. It is used to manage network topology, accounting, performance, configuration, and error reporting.

network node interface (NNI). An interface between nodes in a communication network.

Network Support Center (NSC). A location from which IBM remotely supports 2220 networks.

Networking BroadBand Services (NBBS). An IBM architecture for high-speed networking that complements ATM standards and provides access services, transport services, and network control to user traffic.

NIC. Network Information Center.

NMS. Network management station.

NNI. Network node interface.

NPT. Numbering plan table.

NR. Non-reserved.

NRT. Non-real-time.

NRZI. Non-return-to-zero inverted recording.

NRZ-1. Non-return-to-zero change-on-ones recording.

NSAP. Network service address point.

NSC. Network Support Center.

NSM. (See 2220 Nways Switch Manager)

NVDM. NetView Distribution Manager for AIX.

NTT. Nippon Telegraph & Telephone (Corporation).

numbering plan table (NPT). A set of parameters, organized in origin NPT and destination NPT, that defines a type of called ISDN numbers. A numbering plan table is associated with each ISDN network interface.

Nways 2220 Switch Manager (2220 Switch Manager). An IBM licensed program that runs under NetView for AIX to manage the 2220 Nways Switch operation and configuration from a network management station. It replaces the Nways Enterprise Manager (NEM) which is no longer available.

Nways BroadBand Switch. Synonym for 2220 Nways BroadBand Switch.

Nways Enterprise Manager (NEM). An IBM licensed program that was used under NetView for AIX in a network management station to manage Nways Switches, routers, and bridges in a 2220 network (see 2220 Nways Switch Manager).

Nways Switch. Synonym for 2220 Nways BroadBand Switch.

Nways Switch administration station (NAS). A station attached to each 2220 to run the Control Program, and control and service the Nways Switch locally.

Nways Switch configuration station. A mandatory OS/2 or AIX station that runs a stand-alone version of the Nways Switch Configuration Tool Version 2 (NCT2) and stores the centralized configuration database of the NBBS network. An OS/2 station can be used as a remote user console.

Nways Switch Configuration Tool Version 2 (NCT2). A component of the Nways Switch Control Program that is used to configure physical and logical resources. It is also used in stand-alone version under OS/2 or AIX .

Nways Switch Control Program. The IBM licensed program that runs in the NAS and adapters of the 2220 Nways Switch. It includes a CMIP agent to work with the 2220 Switch Manager.

Nways 2220 Switch Manager for AIX. (See Nways 2220 Switch Manager)

Nways Switch Resource Control. A component of the Nways Switch Control Program. It is used from the NAS of an Nways Switch or from a remote user console to control resources and configuration files.

OAM. Operation, administration, and maintenance.

OC3. Optical carrier level 3.

ONPT. Origin numbering plan table.

operation, administration, and maintenance (OAM). A group of functions coded in specific ATM cells to handle alarms and loopback tests on ATM connections.

optical fiber. In fiber optics technology, a wave guide that propagates optical signals from light-generating transmitters to light-detecting receivers.

OSI. Open systems interconnection.

packet loss ratio. The probability that a packet will not reach its destination or not reach it in a specified

time. It is obtained by dividing the number of packets lost in transmission by the total number transmitted.

packet transfer mode (PTM). The native transfer mode of the NBBS architecture. PTM divides the traffic into packets of variable length.

PBX. Private branch exchange.

PCM. Pulse code modulation.

PCR. Peak cell rate.

PDH. Plesiochronous digital hierarchy.

permanent virtual circuit (PVC). A virtual circuit that has a logical channel permanently assigned to it at each item of data terminal equipment. It is activated by a program or by a network operator request.

plesiochronous. Refers to transmission at a nominal bit rate where the source and destination are controlled by different clocks. The bit rates are nearly the same.

PLP. Packet layer protocol.

PNP. Private numbering plan.

port. See logical port.

port adapter. In an Nways Switch, a module that provides access services to one or more port lines. Each port adapter is associated with a line interface coupler (LIC).

port line. A communication line that connects a device on user premises to an Nways Switch and serves as a port to the 2220 network. Port lines have different protocols and interfaces.

position. When configuring an Nways Switch, the position parameter indicates the line attachment number on the LIC module (1 to 8, depending on the LIC type).

potential connection. A predefined connection through a 2220 network between two HDLC, CES, or frame-relay devices.

PPP. Point-to-point protocol.

PRA. Primary Rate Access.

private branch exchange (PBX). A switching system located on a user premises that relays inside lines (extensions) and provides access to the public telephone network.

PRS. Primary reference source.

PSDN. Packet switched data network.

PSN. Public switched network.

PSTN. Public switched telephone network.

PTF. Program temporary fix.

PTM. Packet transfer mode.

PTNX. Private telecommunications network exchange.

pulse code modulation (PCM). A standard adopted for the digitalization of analog voice signals. In PCM, voice is sampled at a rate of 8 kHz and each sample is coded in an 8-bit frame.

PVC. Permanent virtual circuit.

Q signaling (QSIG). An international standard for signaling procedures in private telecommunication networks. It applies to the PBX-to-Nways Switch interface, which is called the Q reference point.

QoS. Quality of service.

QSIG. Q signaling.

quality of service (QoS). In a 2220 network, a set of parameters that guarantees the characteristics of a connection, mainly its end-to-end delay, delay variation, and packet loss tolerance.

RABM. Router and Bridge Manager.

rack. A metallic structure, with a standard 19-inch width, that houses the hardware elements of an Nways Switch, that is, logic subrack with modules, fan boxes, and power units.

When configuring an Nways Switch, the rack parameter indicates the 2220 Model (rack A is the Model 300 or 500, and rack B is the Model 501).

RDI. Remote defect indication.

real-time processing. Refers to the manipulations of data that are required, or generated, by certain process while the process is in operation. Usually, the results influence the process and, perhaps, related processes.

remote user console. A station running OS/2, TCP/IP, and Nways Switch Resource Control. It can be connected to the NAS of an Nways Switch to remotely control and service it.

resource. In an Nways Switch, a hardware element or a logical entity created by the Control Program. Adapters, modules, and line attachments are examples of physical resources. Control points, logical trunks, logical ports, and network interfaces are examples of logical resources.

resource profile. A record of the characteristics of an Nways Switch resource. It includes (for example) the

part number or module name, the change level, and the name and phone number of the person to contact when a problem occurs.

RETAIN. Remote Technical Assistance Information Network

RIP. Route Information Protocol.

router. An attaching device that connects two LAN segments of the same or different architectures. It can also be connected to a wide area network. A router works at the network level (layer 3) of the OSI reference model by determining the best paths for network traffic flows.

Router And Bridge Manager. An application that provides distributed management for routers such as the IBM 2210 or 2216, bridges such as the IBM 8229, and communication controllers such as the IBM 3746 in IP mode.

RS. Recommended specification.

RSF. Remote support facility.

RSN. Receive sequence number.

RT. Real-time.

RVX. RS/EIA-232, V.24/V.35, X.21.

s. Second.

SCR. Sustainable cell rate.

SDH. Synchronous digital hierarchy.

SDLC. Synchronous data link control.

SDT. Structured data transfer.

serial line internet protocol (SLIP). A TCP/IP protocol used on a point-to-point connection between two IP hosts over a serial line (for example, an RS/EIA-232 connection to a modem over a telephone line).

SLA. Serial link architecture.

SLIP. Serial line internet protocol.

slot. When configuring an Nways Switch, the slot parameter indicates the module location (1 to 12) in the logic subrack.

SNA. Systems Network Architecture.

SNMP. Simple Network Management Protocol.

SONET. Synchronous optical network.

spanning tree. See CP spanning tree.

SRC. System reference code.

SSN. Send sequence number.

station. A microcomputer that is connected to a host or a network and at which a user can run applications.

STM-1. Synchronous transport module type 1.

STS-3c. Synchronous transport signal type 3 concatenated.

SUB. Subaddress.

subrack. A metallic structure installed in an Nways Switch rack. A logic subrack holds modules. A power subrack holds power supply components.

SVC. Switched virtual circuit.

SW. Switch (module).

switch module (SW). A module of the 2220 Model 300 or 500 that interconnects the adapters through an ATM cell switch. It can have a backup.

switch redrive (SWRD). A module of the 2220 Model 501 that drives the signals from the switch module in the Model 500 to the adapters of the Model 501. It can have a backup.

SWRD. switch redrive (module)

switched virtual circuit (SVC). A connection set up from a calling address to a called address following a call establishment protocol. It is released when a clear request signal is received.

synchronous digital hierarchy (SDH). A international recommendation for the internal operation of carrier optical networks.

synchronous optical network (SONET). A U.S. standard for transmitting digital information over optical interfaces. It is closely related to the international recommendation for synchronous digital hierarchy (SDH).

T1 standard. A TDM digital transmission service with a basic rate of 1.544 Mbps. Also called DS-1.

T3 standard. A TDM digital transmission service with a basic rate of 44.736 Mbps. A T3 line can transport up to 28 T1 circuits. Also called DS-3.

TCPA. Trunk and control point adapter.

TCP/IP. Transmission Control Protocol/ Internet Protocol.

TDM. Time division multiplexing.

TE. Terminal equipment.

Telnet. In TCP/IP, an application protocol that allows a user at one site to access a remote system as if the display station were locally attached. Telnet uses the Transmission Control Protocol (TCP) as the underlying protocol.

time division multiplexing (TDM). The process of breaking the bandwidth on a communication line into a number of channels, possibly of different size.

TME. Tivoli Management Environment.

TMN. Telecommunication Management Network.

TPA. Trunk or port adapter.

Transmission Control Protocol/ Internet Protocol (TCP/IP). A set of communication protocols that support peer-to-peer connections over both local and wide area networks.

transport services. Functions that are performed by a trunk adapter of an Nways Switch to:

- Support the attachment of trunk lines
- Maximize bandwidth utilization
- Guarantee the quality of service of a connection
- Transfer packets between Nways Switches
- Manage logical queues and schedule transmission.

trunk. See logical trunk.

trunk adapter. In an Nways Switch, a module that provides transport services to one or more trunk lines. Each trunk adapter is associated with a line interface coupler (LIC).

trunk line. In a 2220 network, a high-speed line connecting two Nways Switches. It can be, for example, a copper cable, optical fiber, or radio wave guide and can be leased from telecommunication companies.

UBR. Unspecified bit rate. A best effort service with no quality commitment.

UNI. User network interface.

UPC. Usage parameter control.

URL. Uniform resource locator.

user network interface (UNI). A standardized interface between a user and a communication network.

UTC. Universal time, coordinated.

UUS. User-user signaling.

VBR. Variable bit rate.

VC. Virtual channel.

VCC. Virtual channel connection.

VCI. Virtual channel identifier.

VCN. Virtual circuit number.

virtual channel (VC). In ATM, a unidirectional route between two ATM devices. Virtual channels always come in pairs, one in each direction. They follow virtual paths.

virtual channel connection (VCC). In ATM, a unidirectional connection established over a virtual channel. Virtual channel connections always come in pairs, one VCC in each direction.

virtual channel identifier (VCI). In ATM, the unique numeric tag that identifies every channel. It is defined by a 16-bit field in the ATM cell header.

virtual connection. In frame relay, the return path of an FR potential connection.

virtual path (VP). In ATM, a group of virtual channels that are switched together as one unit. (Also called VC service.)

virtual path connection (VPC). In ATM, a connection established over a virtual path. Virtual path connections always come in pairs, one VPC in each direction. (Also called VP service.)

virtual path identifier (VPI). In ATM, an 8-bit field in the ATM cell header that indicates the virtual path over which the cell is to be routed.

voice server adapter (VSA). In an Nways Switch, a module that supplies additional voice functions to voice connections operating in pulse code modulation at 64 kbps. It can attach a voice server extension (VSE).

voice server extension (VSE). In an Nways Switch, a module associated with a voice server adapter (VSA) to supply voice functions to an extended number of PCM voice connections.

VP. Virtual path.

VPC. Virtual path connection.

VPD. Vital product data.

VPI. Virtual path identifier.

VPN. Virtual private network.

VSA. Voice server adapter (module).

VSEn. Voice server extension type n (module).

WAN. Wide area network.

wide area network (WAN). A network that provides communication services to a large geographic area. It can use or provide public communication facilities.

window. On the screen of a station, an area with a title bar, a menu bar, and scroll bars.

X.25 hunt group. A group of X.25 network interfaces associated with one common subscriber address. If an interface is busy, the connection searches (hunts) for

the other interfaces of the group until a free one is found.

X.25 network interface. A logical resource generated by the Nways Switch Control Program to provide access services to a physical X.25 port line. An X.25 network interface sets up and maintains connections between calling X.25 subscribers and called subscribers attached to other Nways Switches.

X.25 Recommendation. An international standard for the interface between data terminal equipments and packet-switched networks.

X.25 subscriber. An X.25 end-user connected to an X.25 network interface through a DTE. A subscriber is defined by an address and a logical name.

Index

D

Display exchange 5-1

H

how to run

 Nways Switch administration station diagnostics 3-2

I

installation procedure 1-22

Installing

 7855 modem 1-14

 7857 modem 1-20

 7858 1-28

 Hayes 1-26

 NAS 1-1

L

Locations

 2220-500 A-2

N

Nways Switch administration station configuration B-1

Nways Switch administration station FRU exchange
procedures 5-1

 board exchange 5-5

 Ethernet adapter card 5-6

 hard disk drive exchange 5-9

 other FRU exchange 5-17

Nways Switch administration station problem
determination

 Nways Switch administration stationremote support
 center communication problem 4-8

 Nways Switch administration stationsymptom 4-1

P

Problem determination 4-1

S

service procedure 2-1

T

telecommunication cables part number 1-21

U

unpacking the modem 1-14

Readers' Comments — We'd Like to Hear from You

**2220 Nways BroadBand Switch
Models 300, 500, and 501
Nways Switch Administration Station
Setup and Service Guide
(based on 7585)**

Publication No. SY33-2122-00

Please send us your comments concerning this book. We will greatly appreciate them and will consider them for later releases of the present book.

If you prefer sending comments by FAX or electronically, use:

- FAX: 33 4 93 24 77 97
- IBM Internal Use: LGERCF at IBMFR
- Internet: lgercf@fr.ibm.com

In advance, thank you.

Your comments:

Name

Address

Company or Organization

Phone No.



Fold and Tape

Please do not staple

Fold and Tape

PLACE
POSTAGE
STAMP
HERE

IBM France
Centre d'Etudes et Recherches
Service 0798 - BP 79
06610 La Gaude
France

Fold and Tape

Please do not staple

Fold and Tape



Part Number: 02L4248

Printed in Denmark by IBM Danmark A/S

SY33-2122-00



02L4248

